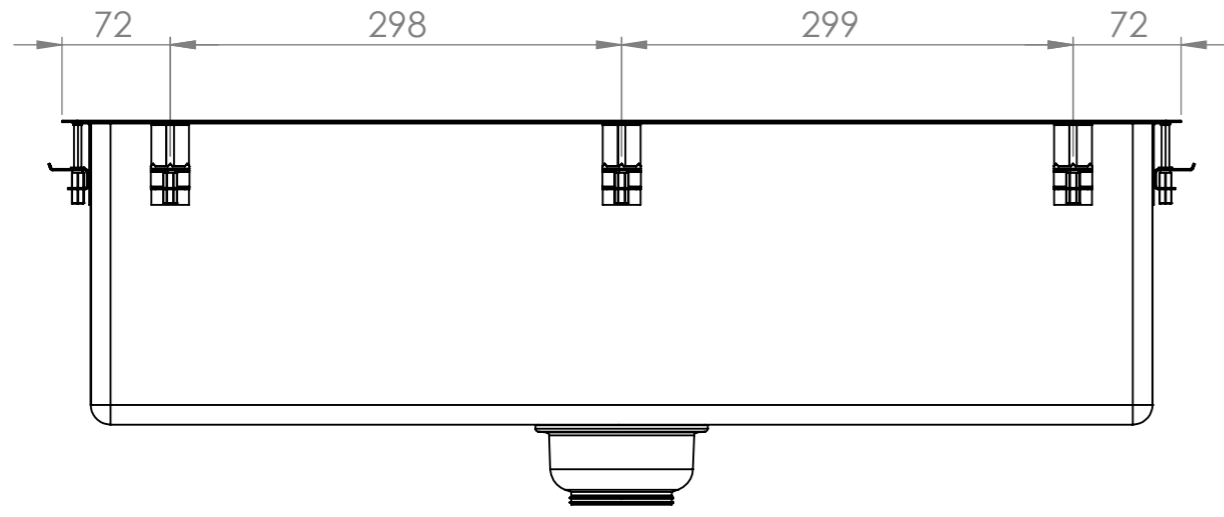
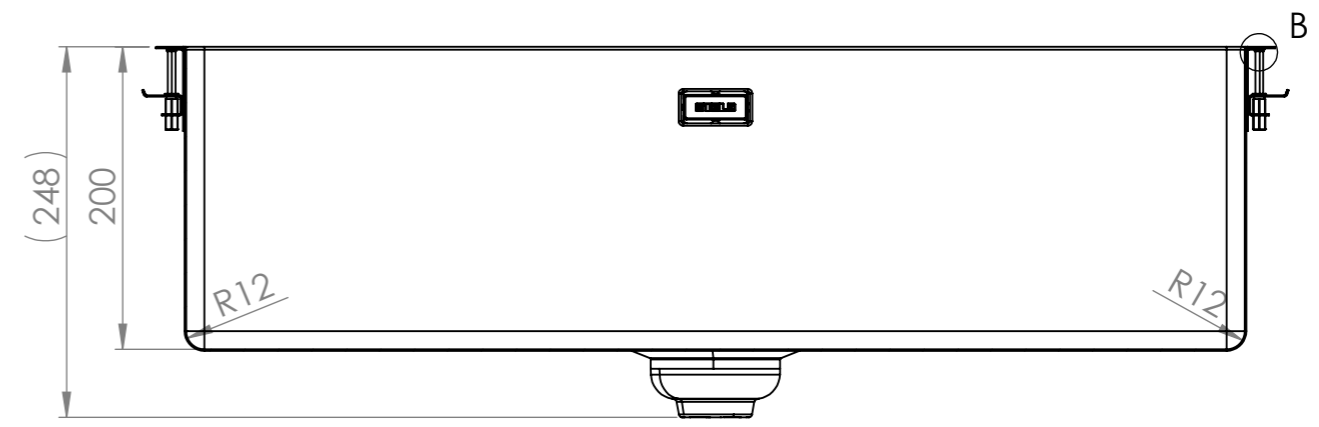


MAIN DIMENSIONS

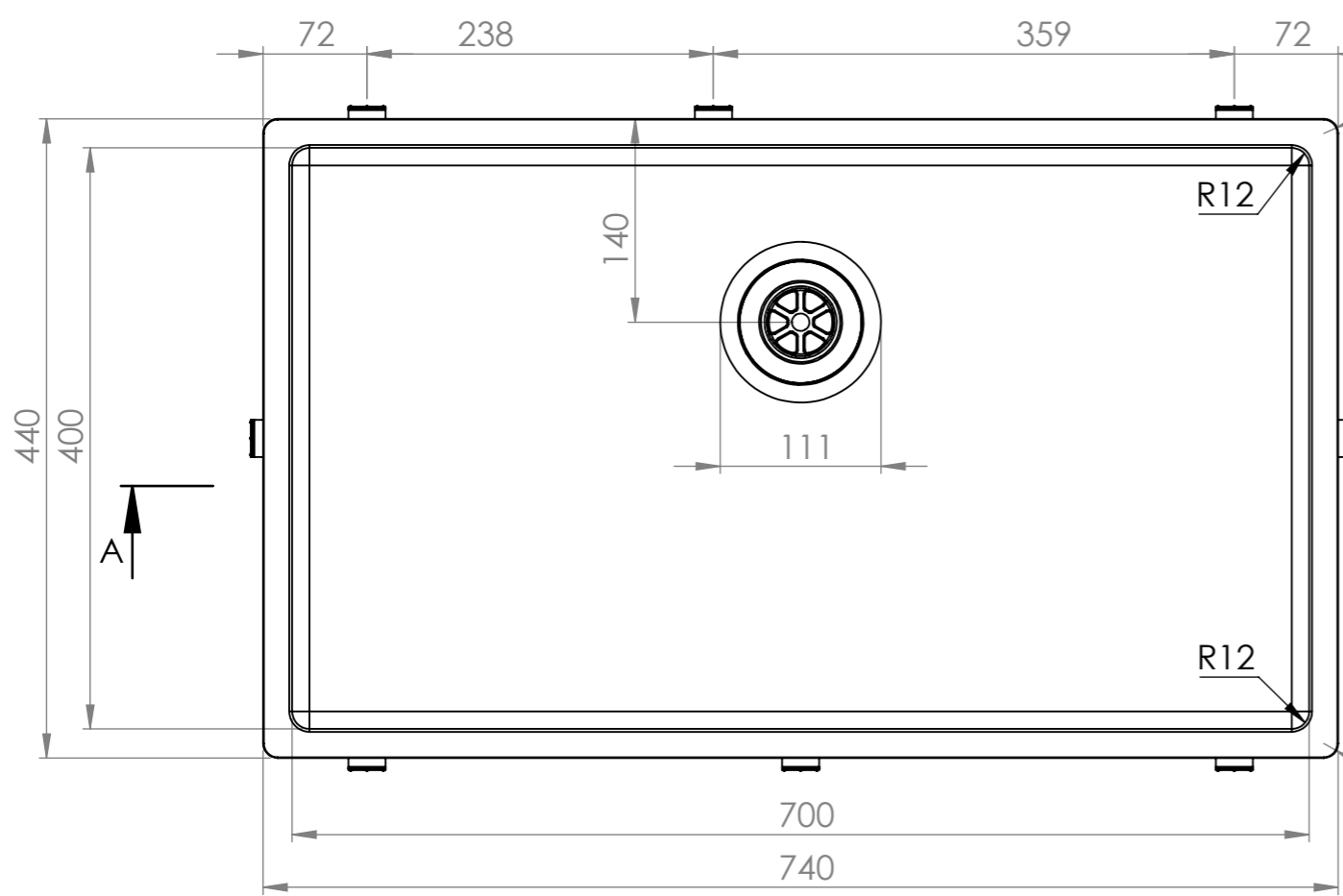
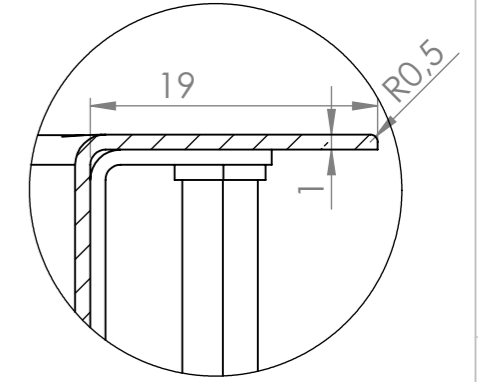


Change description	Date	Designed by
--------------------	------	-------------

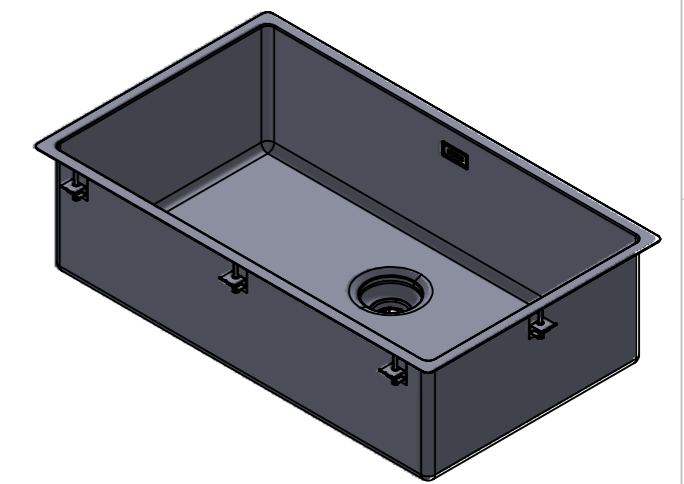
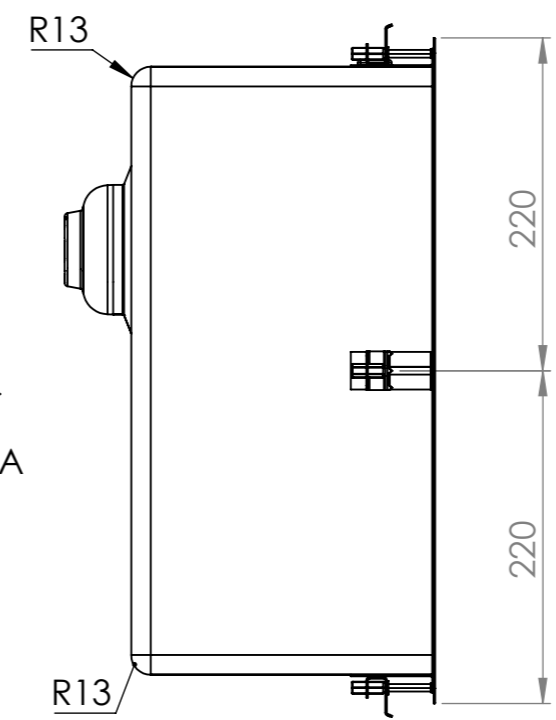


SECTION A-A

Mono sanded edge  
DETAIL B  
SCALE 2 : 1



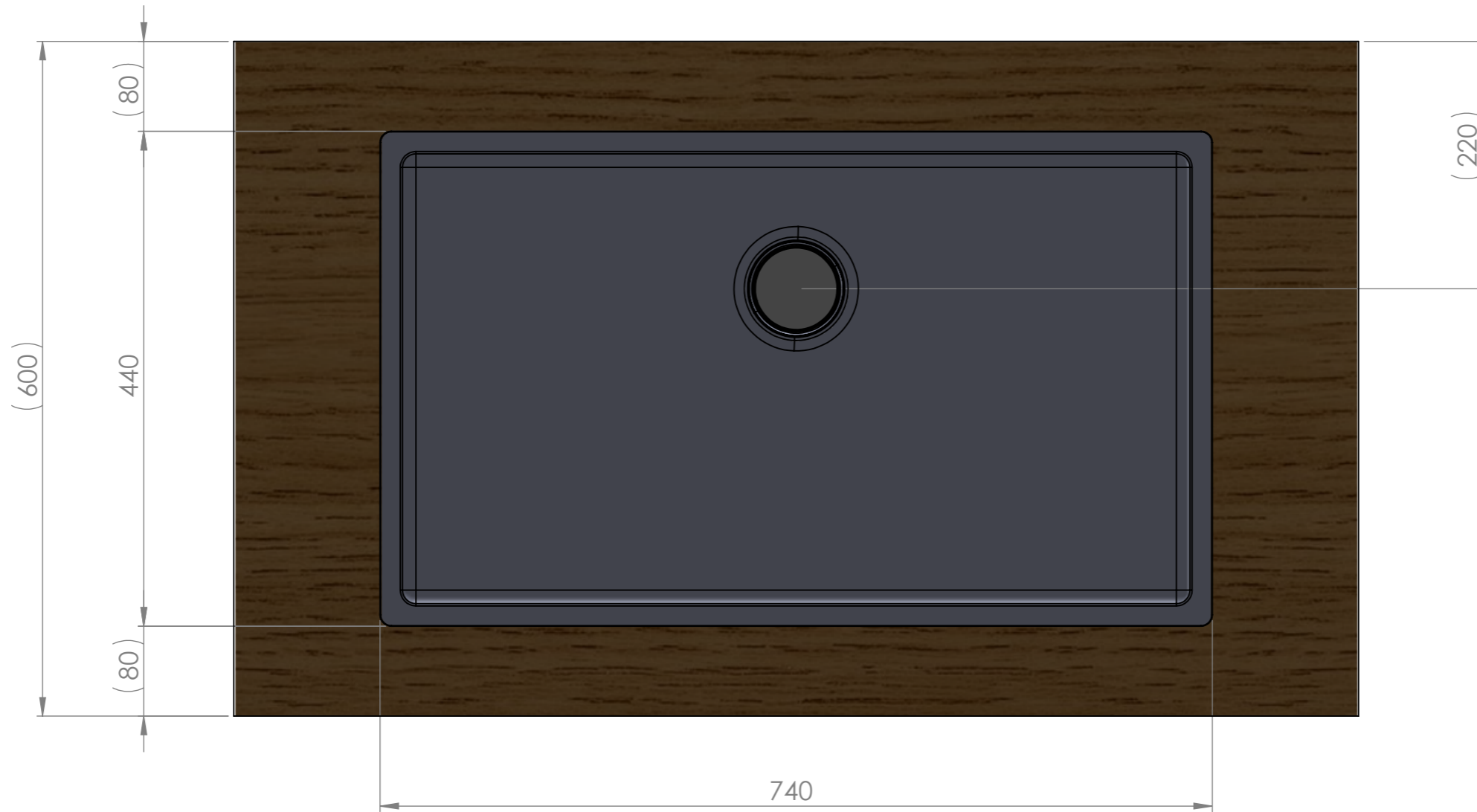
Back side fixing points



	Mass	kg	General tolerance	Designed by	Date
	Size	A3		Item	VS
	Description		ULTRA-70 Technical Data Sheet	Approved by	Date
	Member of <b>ALVEUS</b>			VS	10.05.2022
			Drawing number	19462	Sheet/sheets
					1/6
					Rev
					A

WORKTOP ASSEMBLY

Change description	Date	Designed by
--------------------	------	-------------



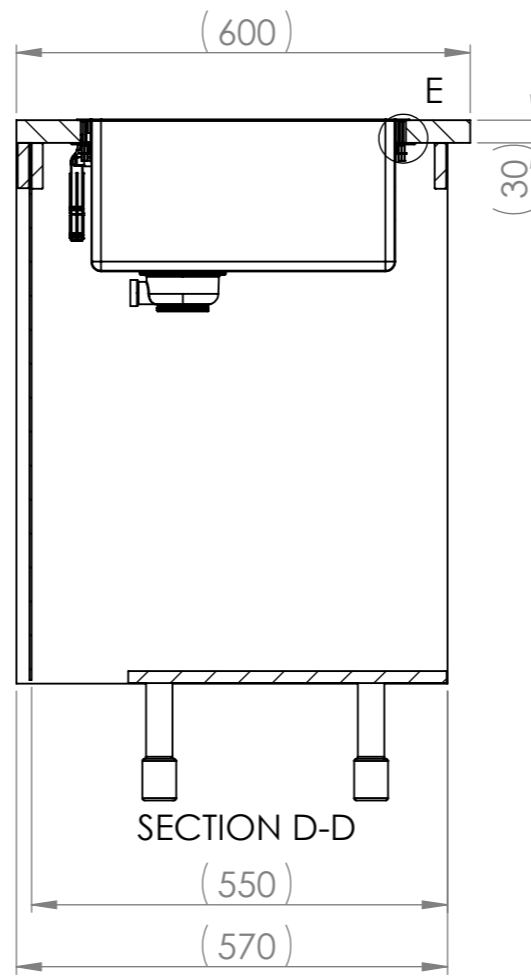
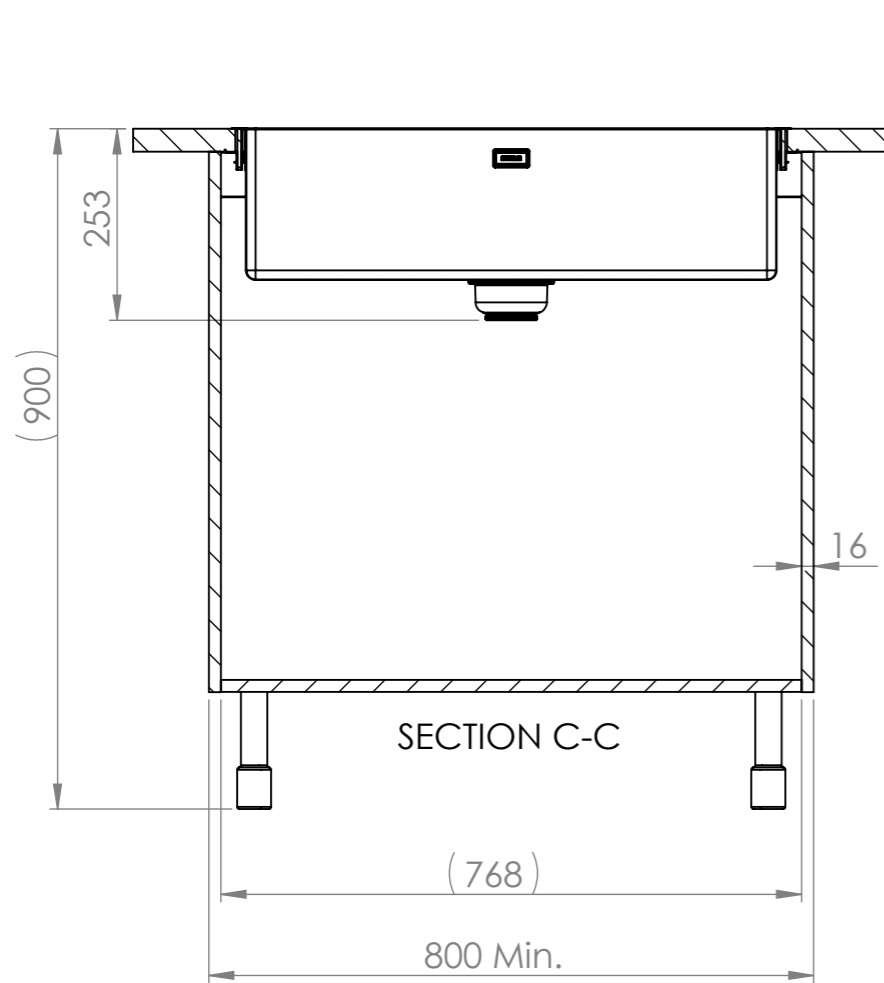
	Mass	kg	General tolerance	Designed by	Date
	Size	Scale	Item	VS	27.04.2022
 Member of ALVEUS	A3	1:5	Description	Approved by	Date
			ULTRA-70	VS	10.05.2022
			Technical Data Sheet	Drawing number	Sheet/sheets
			19462	2/6	Rev
				A	

SPACE REQUIREMENTS

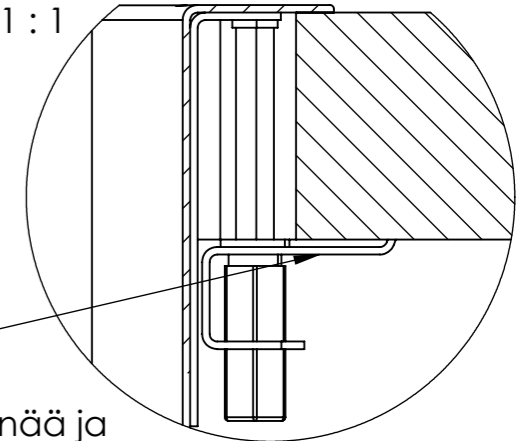
Change description

Date

Designed by



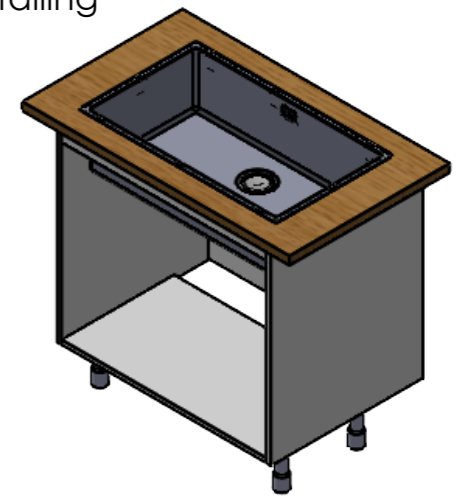
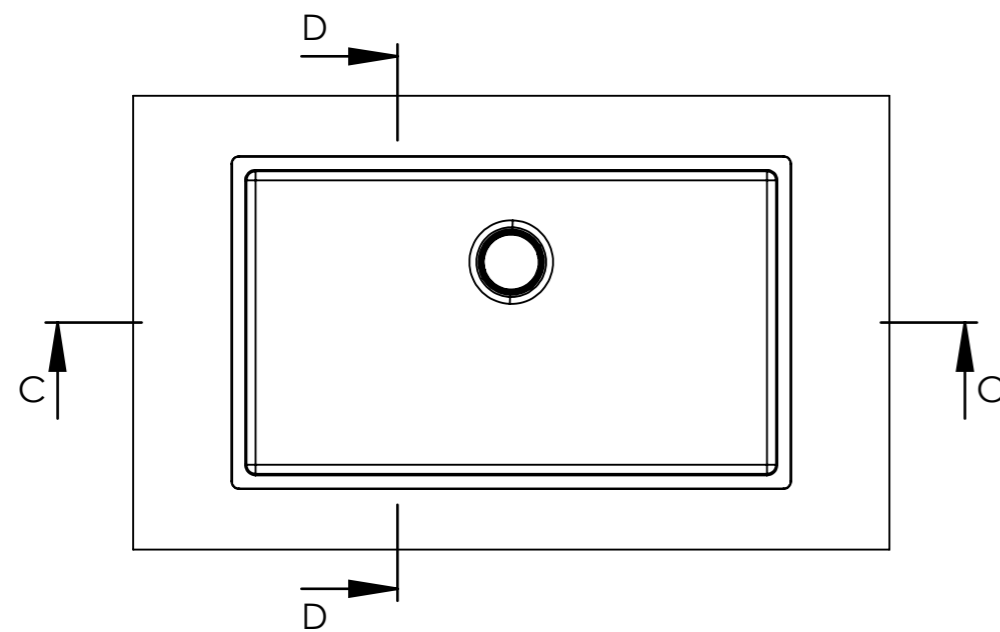
DETAIL E  
SCALE 1 : 1



Huom!  
Tarvittaessa kaapin väliseinää ja etu/takalistaa lovetettava kiinnikkeitä varten ja pesuallas on kiinnitettävä ennen työtason asennusta.

Obs!  
Vid behov måste en inskäring för hofästena göras i skåpets mellanvägg och förbindningslist och diskbänken måste fästas innan du monterar bänkskivan.

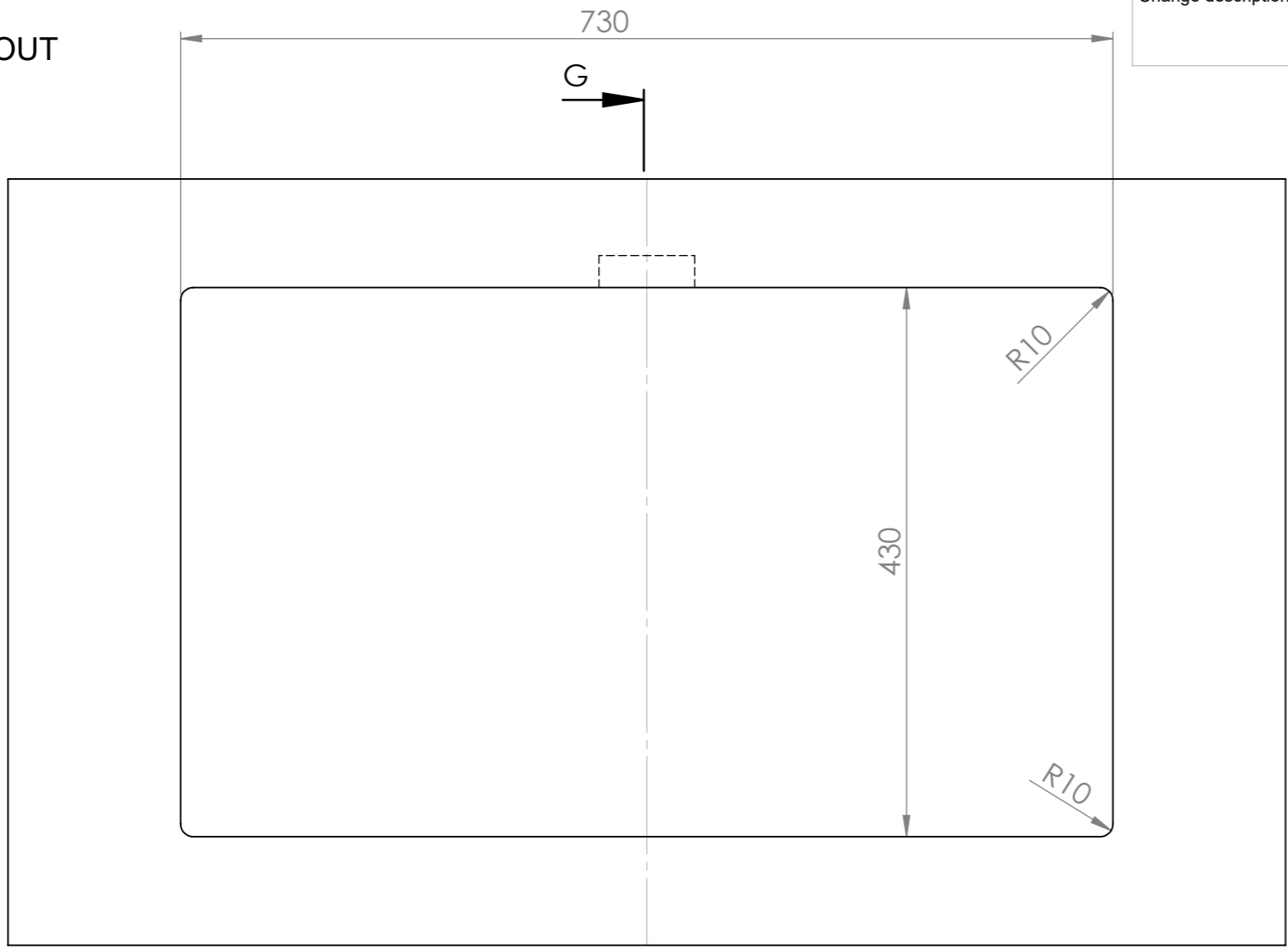
Notice!  
The partition walls and front/back list of the cupboard must be notched for the sink mountings when needed and the sink must be fastened before installing the worktop.



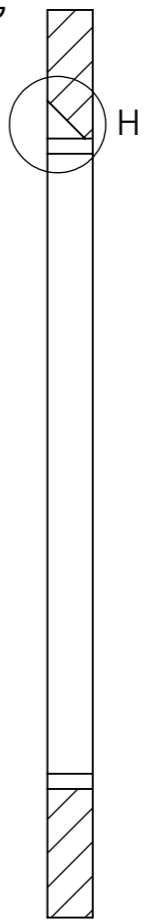
	Mass	kg	General tolerance	Designed by	Date
	Size	Scale		Item	VS
	A3	1:10		Approved by	Date
				VS	10.05.2022
 Member of ALVEUS	Description		Drawing number	Sheet/sheets	
	ULTRA-70		19462	3/6	
	Technical Data Sheet				Rev

Change description	Date	Designed by
--------------------	------	-------------

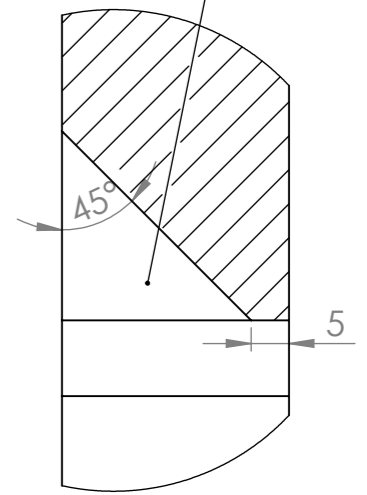
CUT-OUT



SECTION G-G



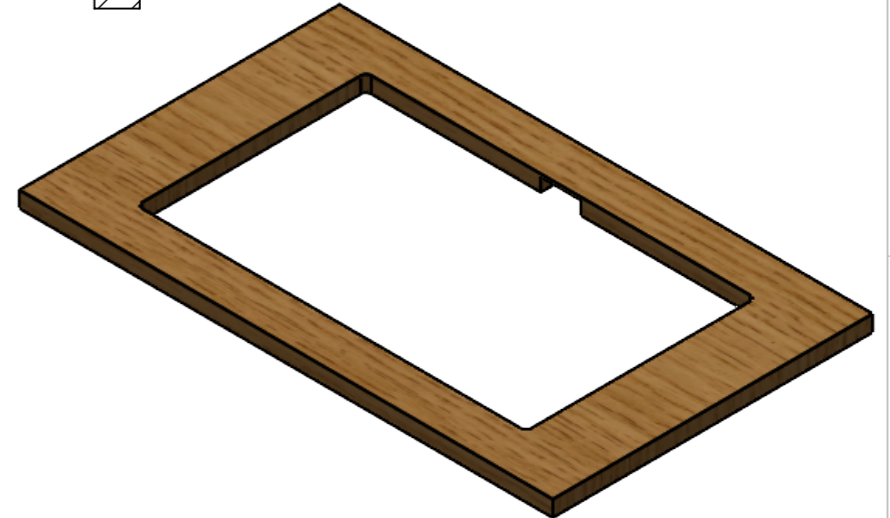
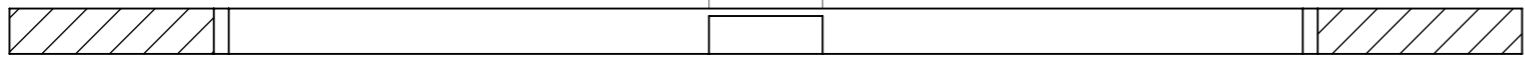
Cut-out for overflow



DETAIL H  
SCALE 1 : 1

75

SECTION F-F



	Mass	kg	General tolerance	Designed by	Date
	Size	Scale	Item	VS	27.04.2022
	A3	1:5	ULTRA-70 Technical Data Sheet	Approved by	Date
				VS	10.05.2022
			Description ULTRA-70 Technical Data Sheet	Drawing number	Sheet/sheets
		19462		4/6	
				Rev	A

