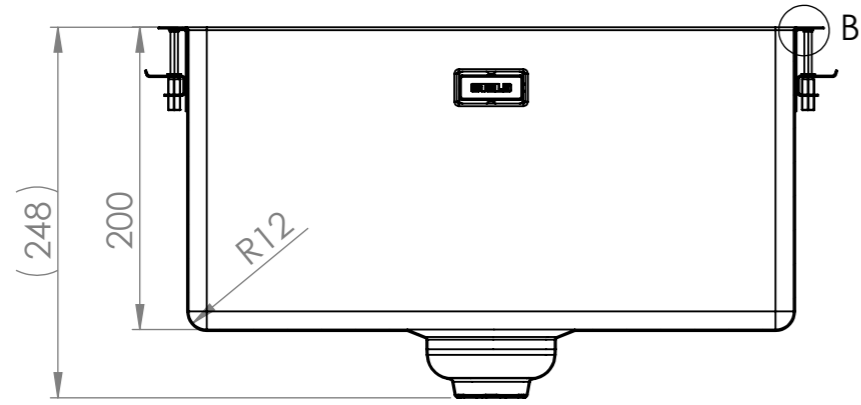
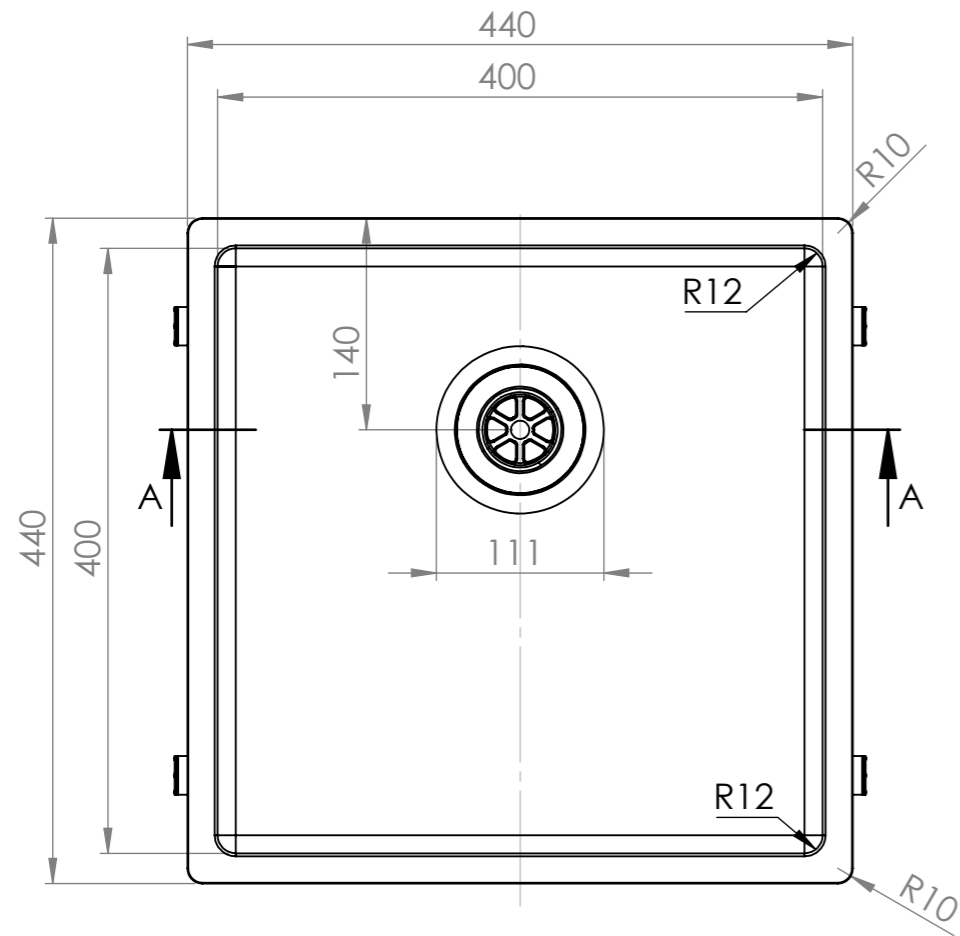


MAIN DIMENSIONS

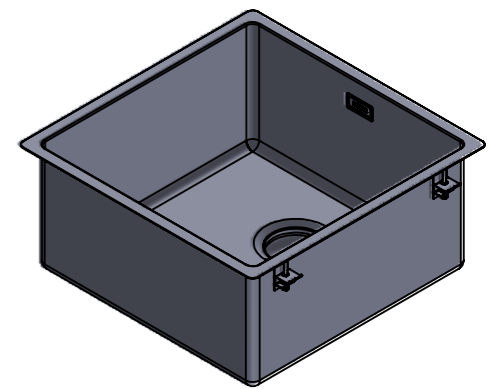
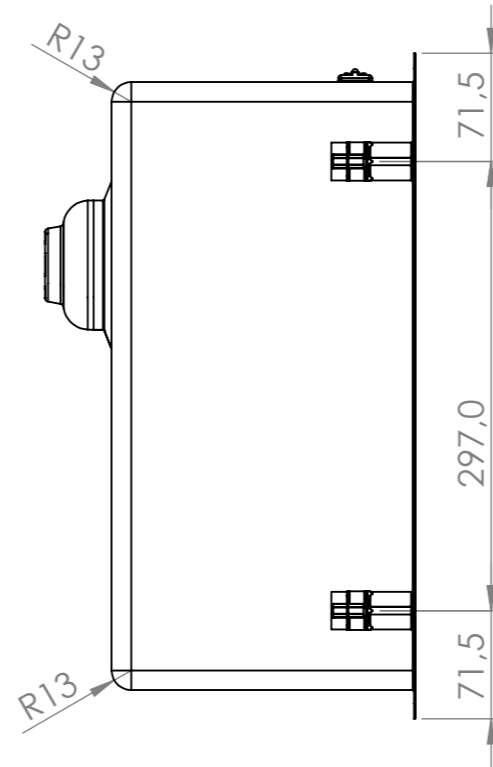
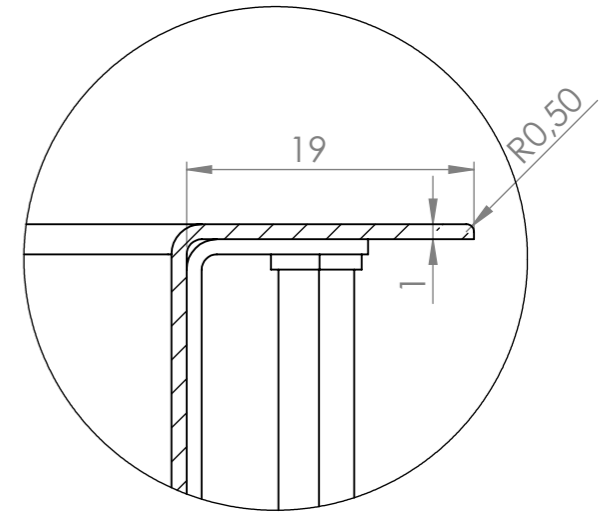


SECTION A-A



Mono sanded edge

DETAIL B  
SCALE 2 : 1



Change description	Date	Designed by
--------------------	------	-------------

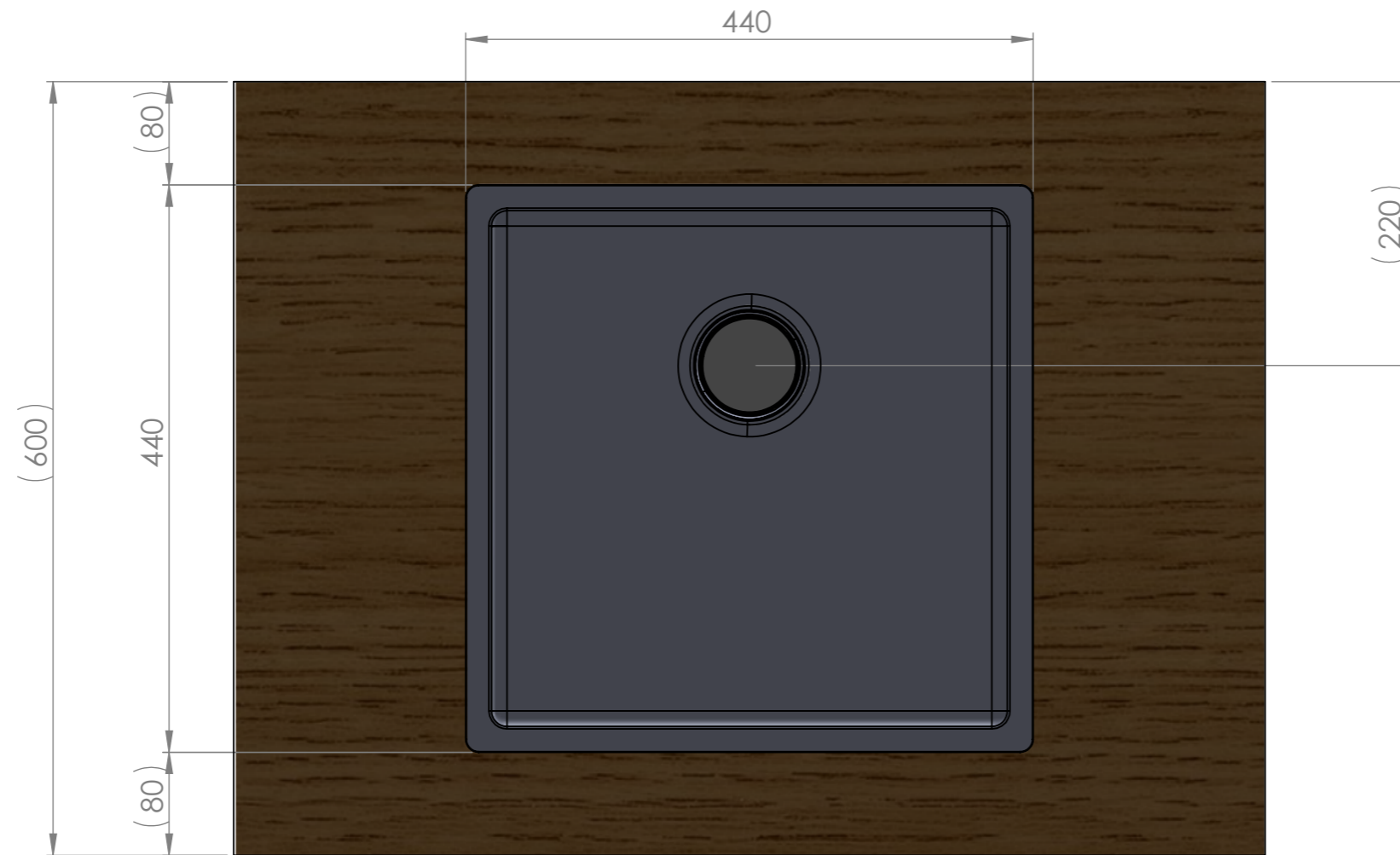
	Mass	kg	General tolerance	Designed by	Date
	Size	Scale		Item	VS
	A3	1:5		Approved by	Date
				VS	10.05.2022
 Member of ALVEUS	Description		Drawing number	Sheet/sheets	
	ULTRA-40			19460	1/6
	Technical Data Sheet				Rev

WORKTOP ASSEMBLY

Change description

Date

Designed by



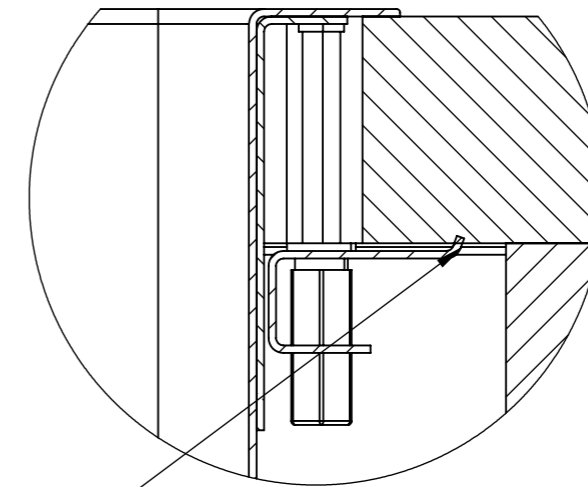
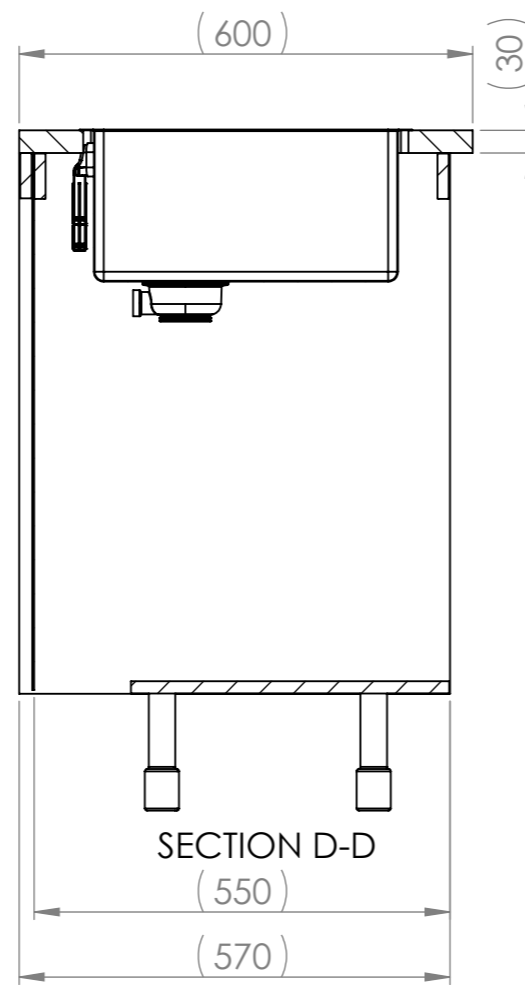
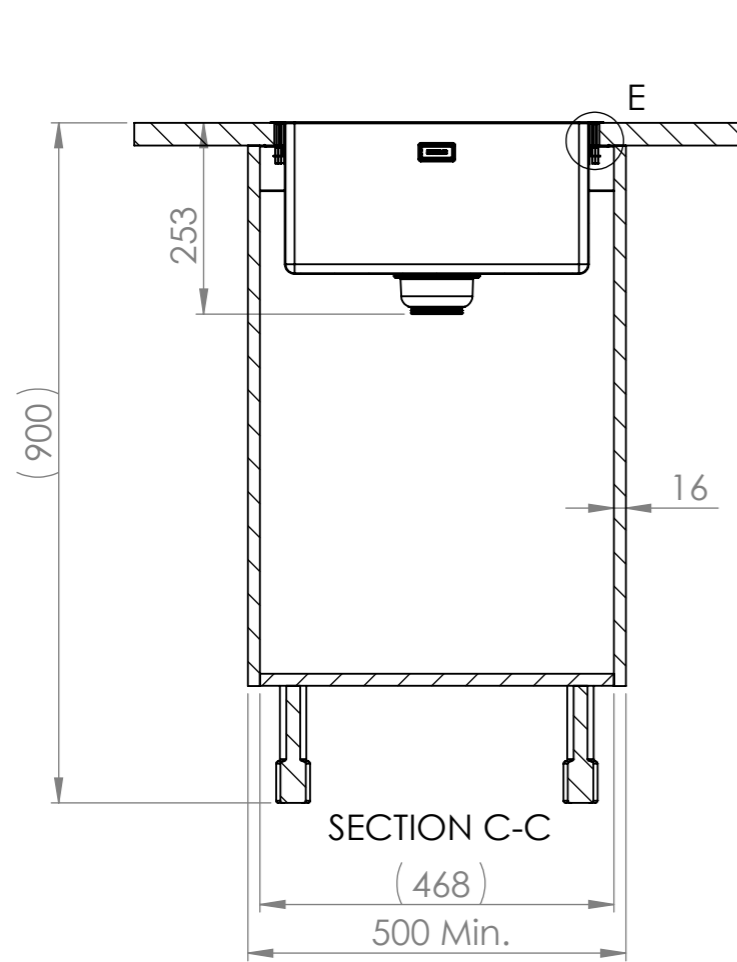
	Mass	kg	General tolerance	Designed by	Date
	Size	Scale	Item	VS	26.04.2022
 Member of	A3	1:5	Description	Approved by	Date
			ULTRA-40	VS	10.05.2022
			Technical Data Sheet	Drawing number	Sheet/sheets
			<b>19460</b>	2/6	Rev
				A	

SPACE REQUIREMENTS

Change description

Date

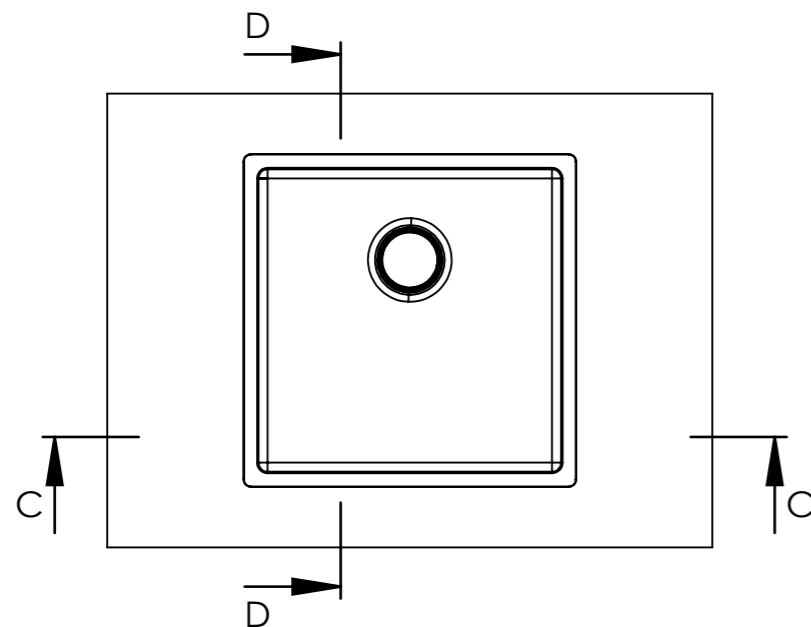
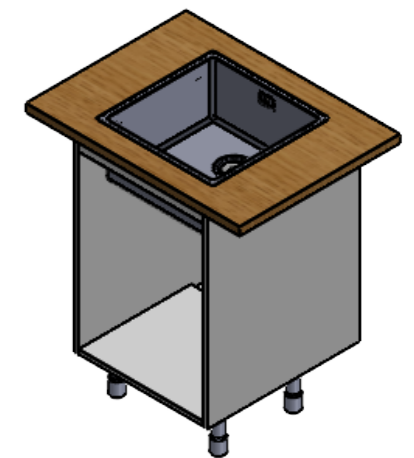
Designed by



Huom!  
Tarvittaessa kaapin väliseinää ja etu/takalistaa lovetettava kiinnikkeitä varten ja pesuallas on kiinnitettävä ennen työtason asennusta.

Obs!  
Vid behov måste en inskärning för hofästena göras i skåpets mellanvägg och förbindningslist och diskbänken måste fästas innan du monterar bänkskivan.

Notice!  
The partition walls and front/back list of the cupboard must be notched for the sink mountings when needed and the sink must be fastened before installing the worktop.

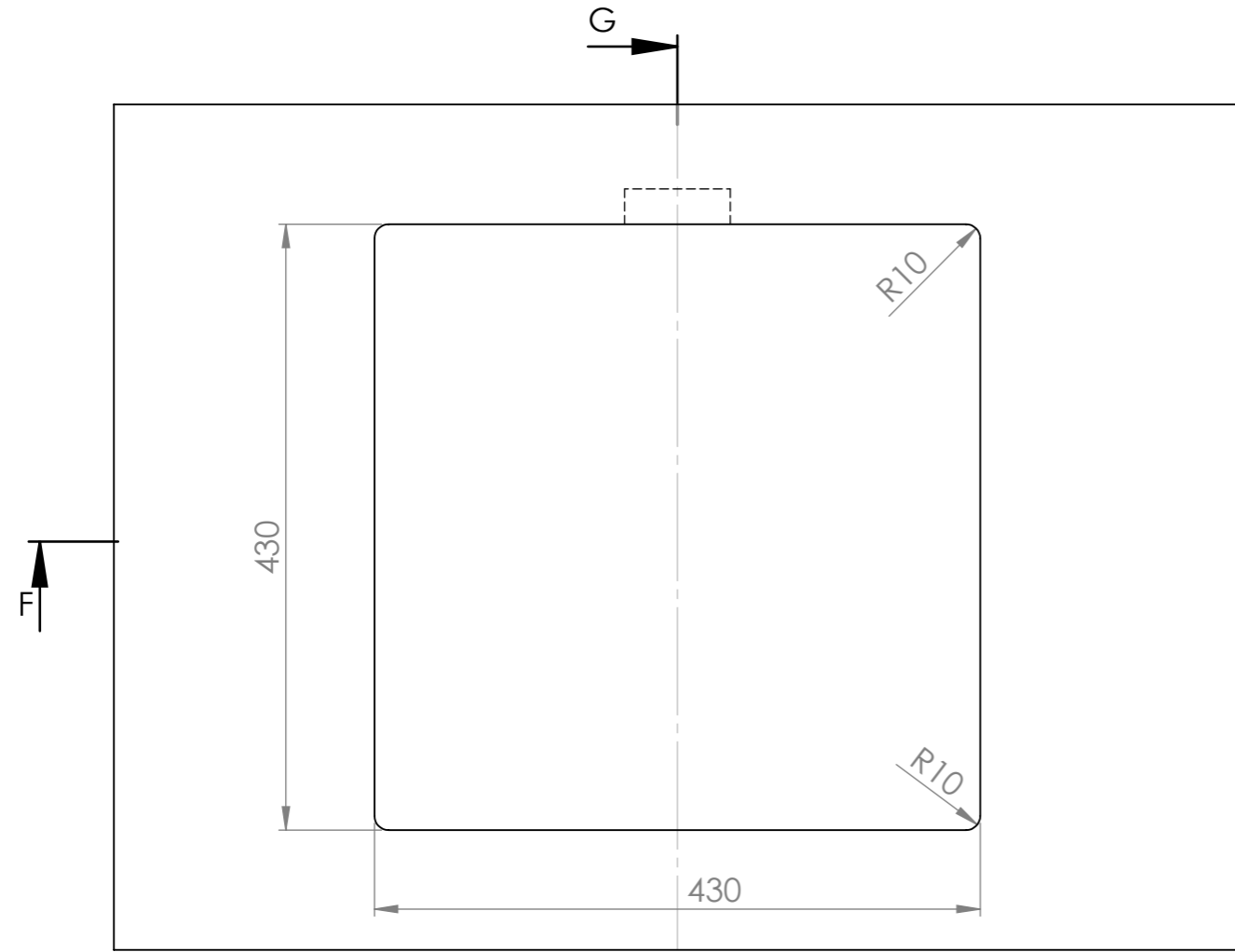


	Mass	kg	General tolerance	Designed by	Date
	Size	Scale	Item	VS	26.04.2022
	A3	1:10	Description	Approved by	Date
	Member of ALVEUS	ULTRA-40	Technical Data Sheet	VS	10.05.2022
			Drawing number	Sheet/sheets	
			19460	3/6	
				Rev	A

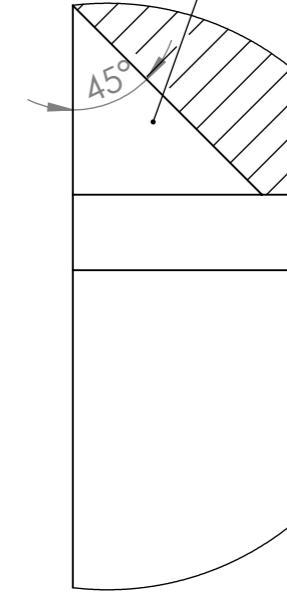
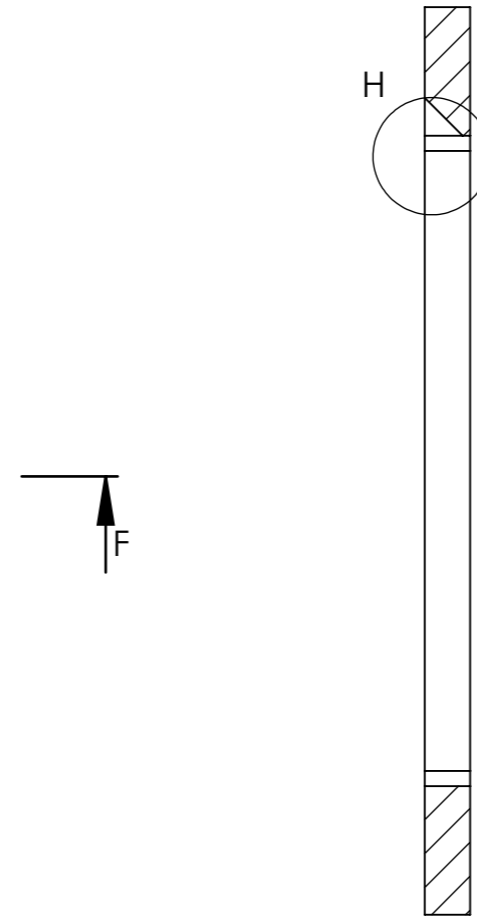
Change description	Date	Designed by
--------------------	------	-------------

CUT-OUT

Cut-out for overflow

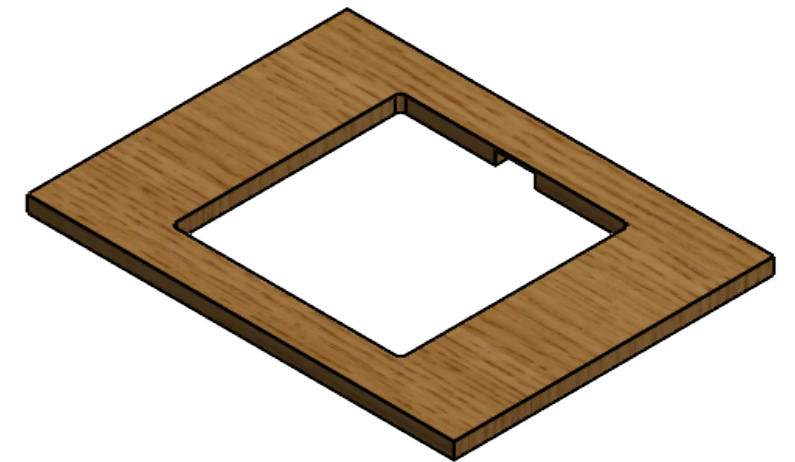
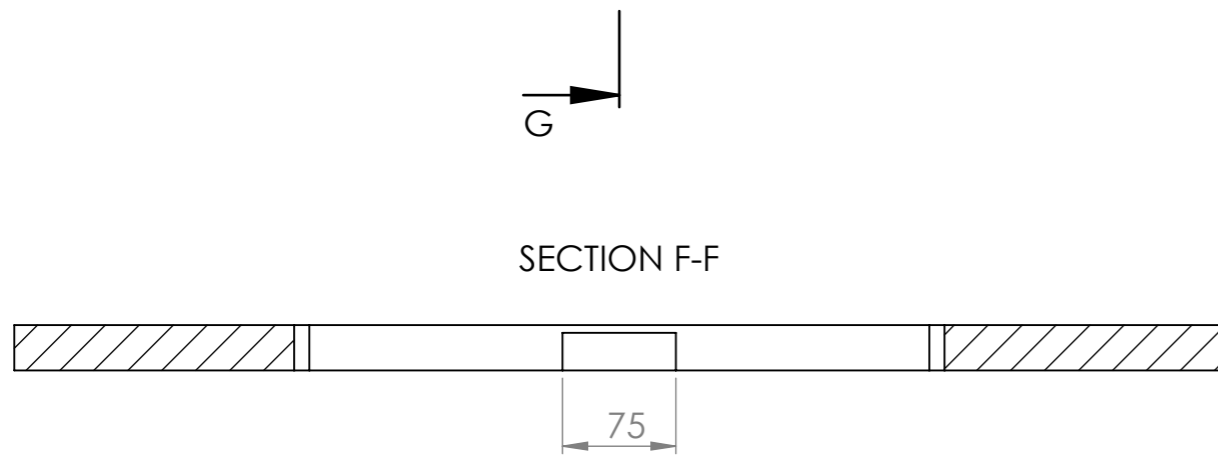


SECTION G-G



DETAIL H  
SCALE 1 : 1

SECTION F-F



	Mass	kg	General tolerance	Designed by	Date
	Size	A3	Scale	VS	26.04.2022
	Item	1:5	Description	Approved by	Date
	ULTRA-40	Technical Data Sheet	VS	10.05.2022	
	Drawing number	19460	Sheet/sheets	4/6	
	Rev	A			

