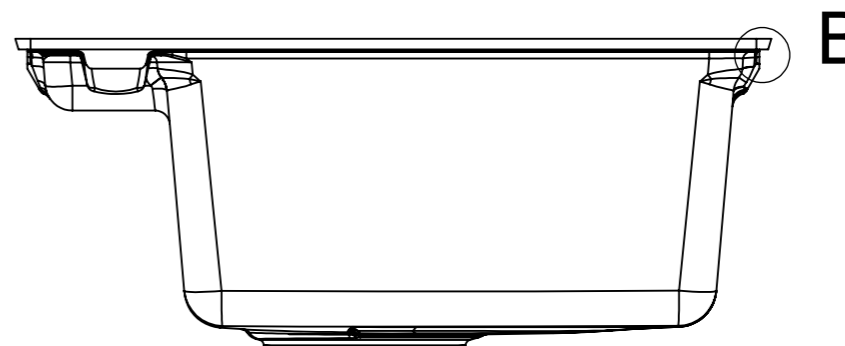
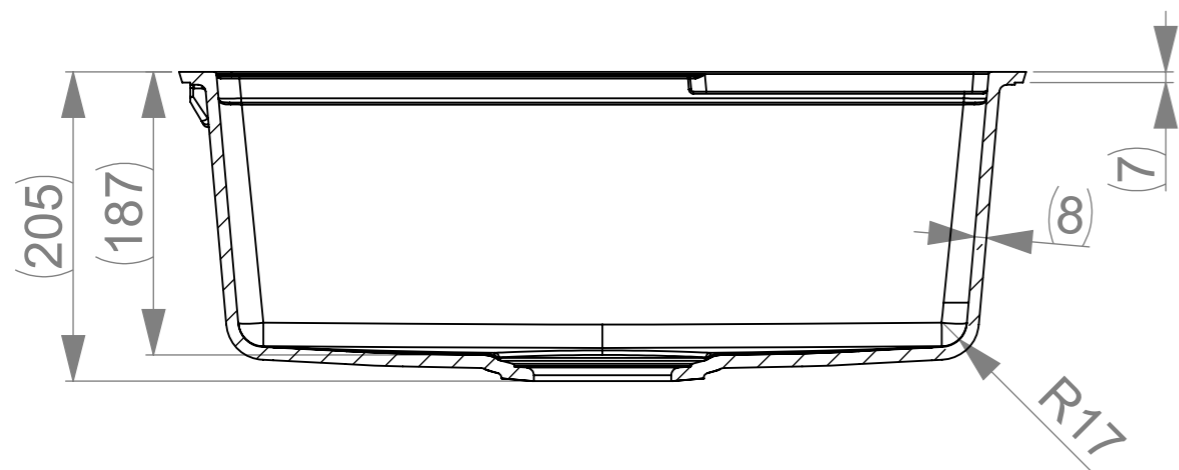


MAIN DIMENSIONS

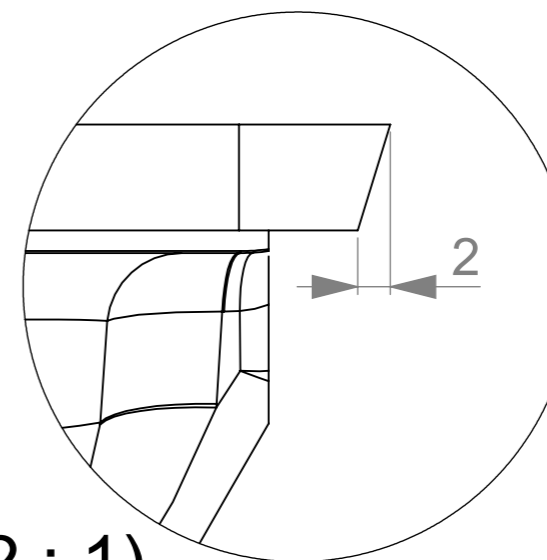
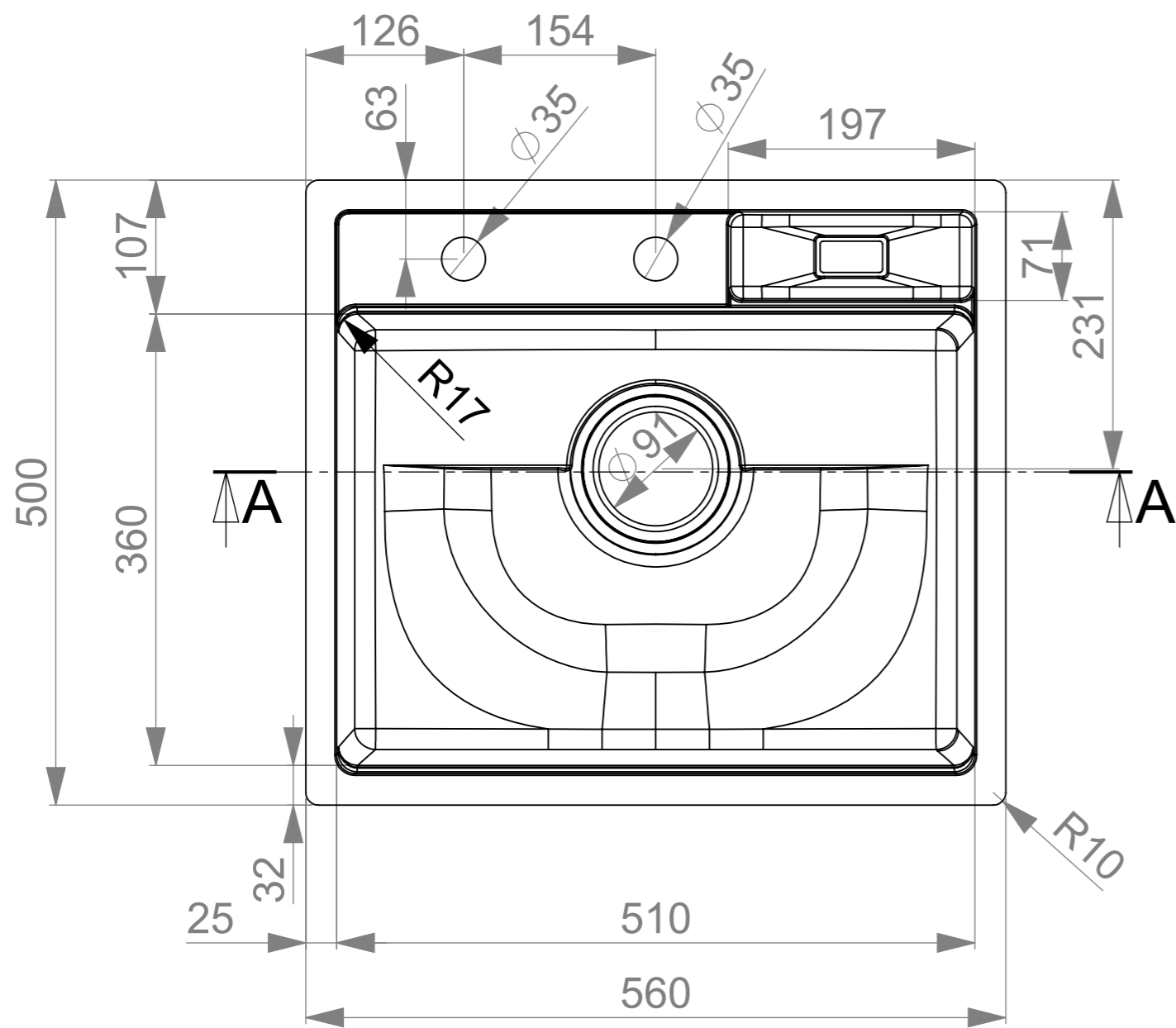
Change description

Date

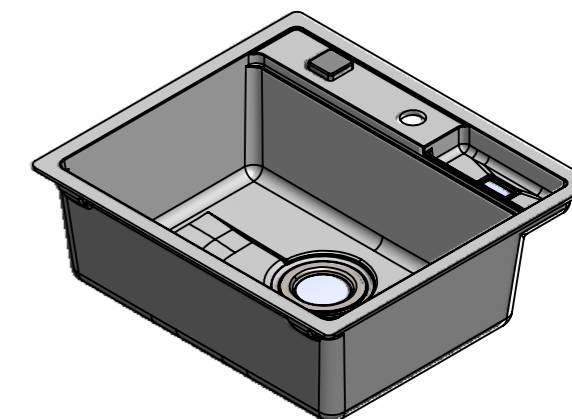
Designed by

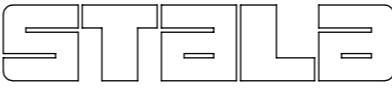


A-A

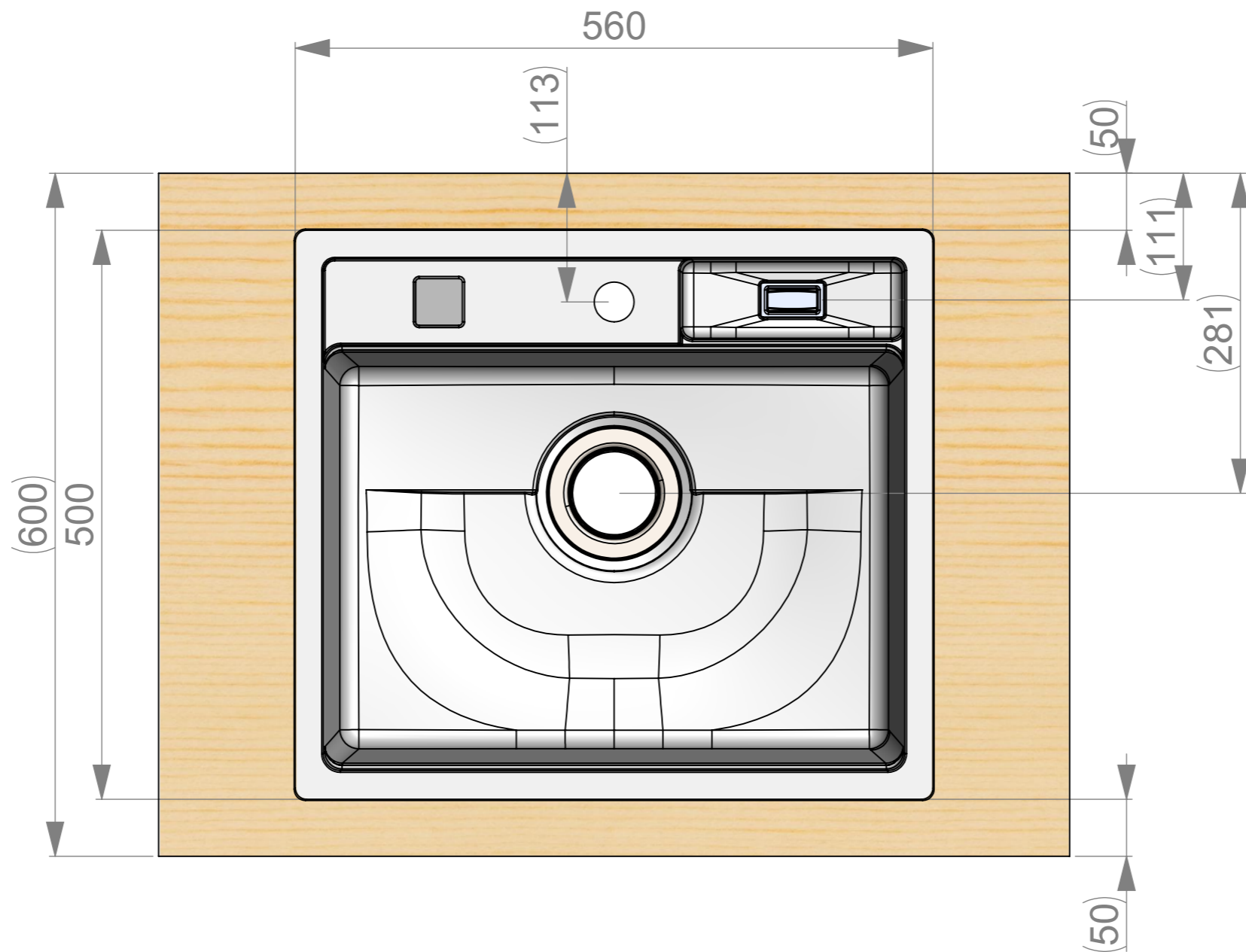


B (2 : 1)

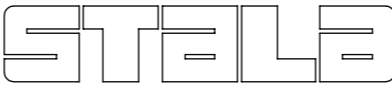


 www.stala.com	General tolerance Size A3 Scale 1:5	Item Description CEG51-57_F Technical Data Sheet	Designed by VS	Date 12.05.2021
	Approved by VS	Drawing number 19296	Date 12.05.2021	Sheet/sheets 1/4
			Rev A	

WORKTOP ASSEMBLY



Change description	Date	Designed by
--------------------	------	-------------

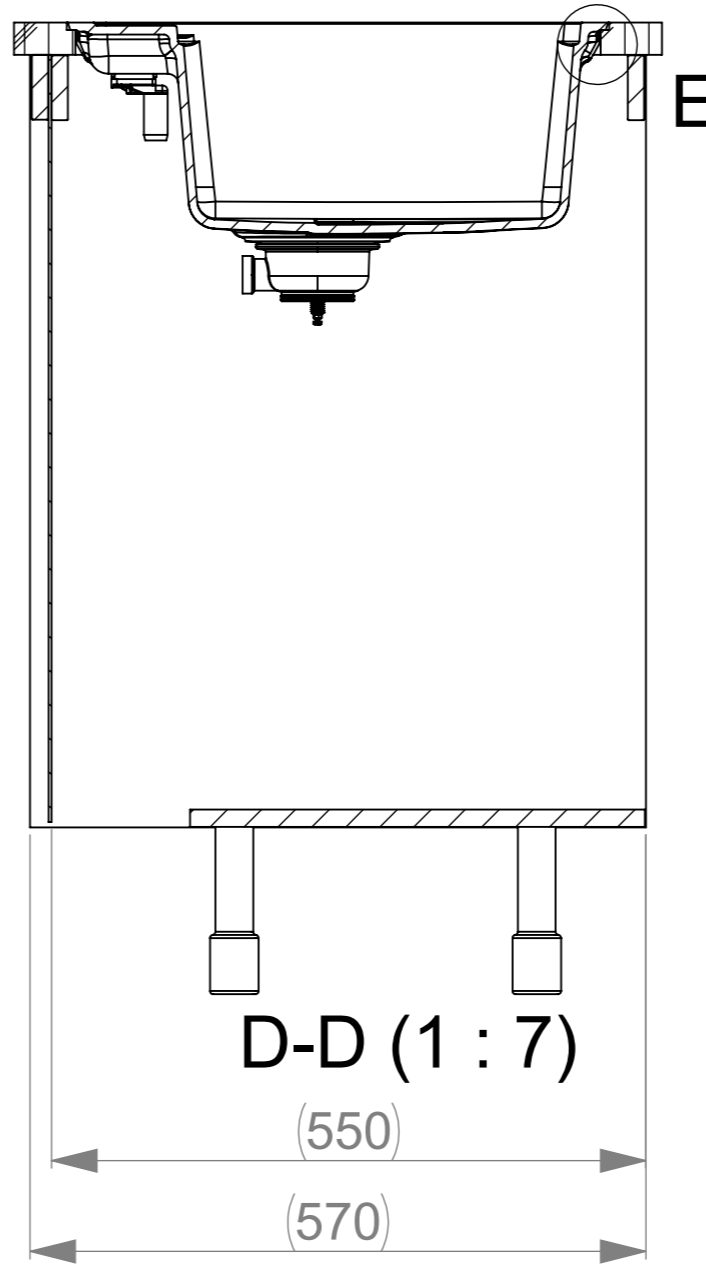
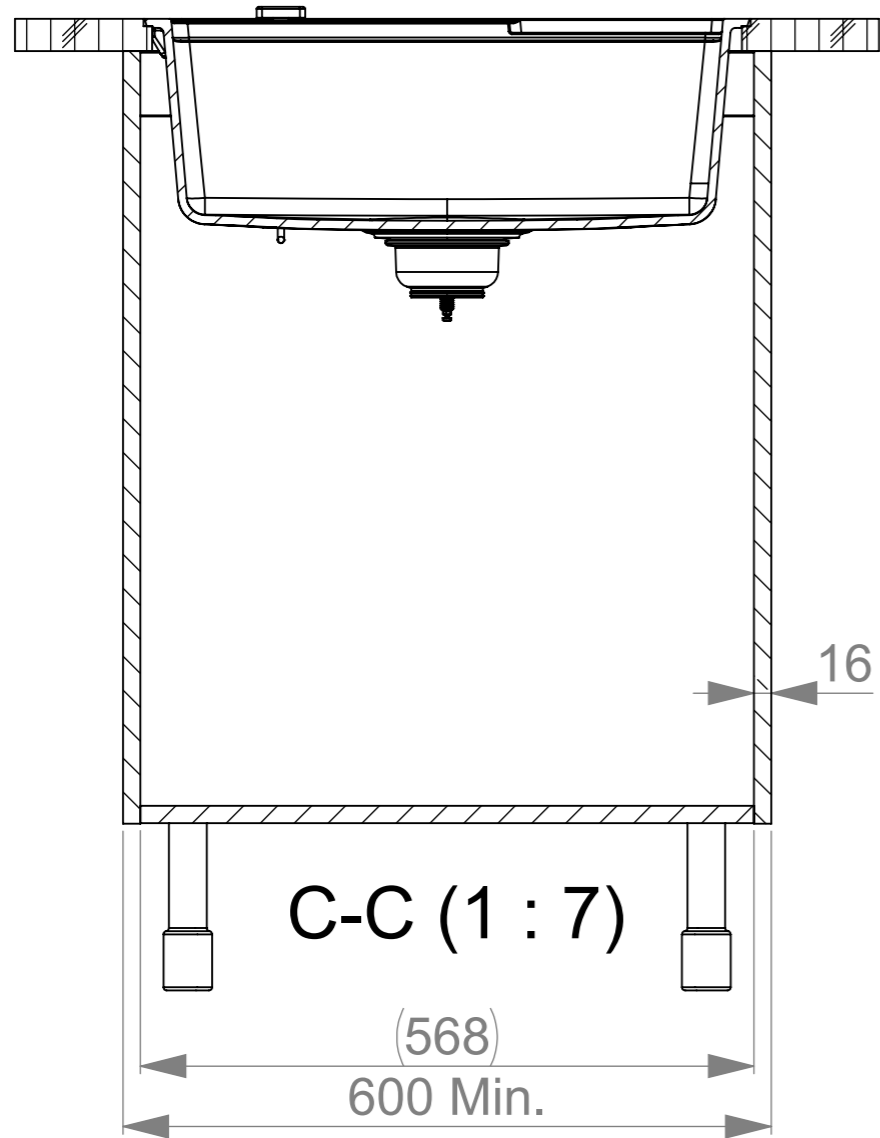
 www.stala.com	General tolerance Size A3 Scale 1:5	Item Description CEG51-57_F Technical Data Sheet	Designed by VS	Date 12.05.2021
	Drawing number 19296	Sheet/sheets 2/4	Date 12.05.2021	Rev A

SPACE REQUIREMENTS

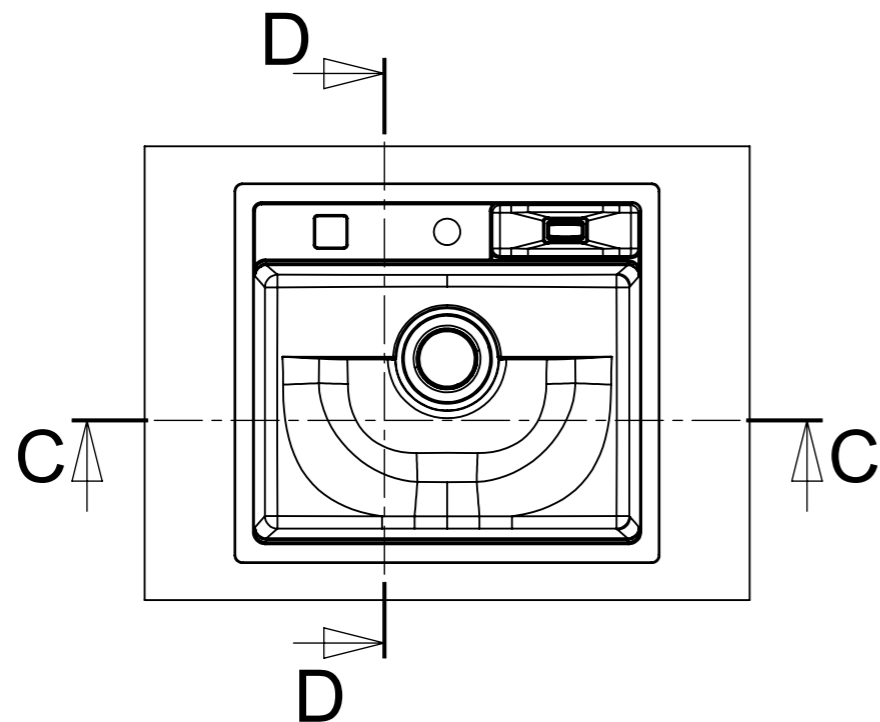
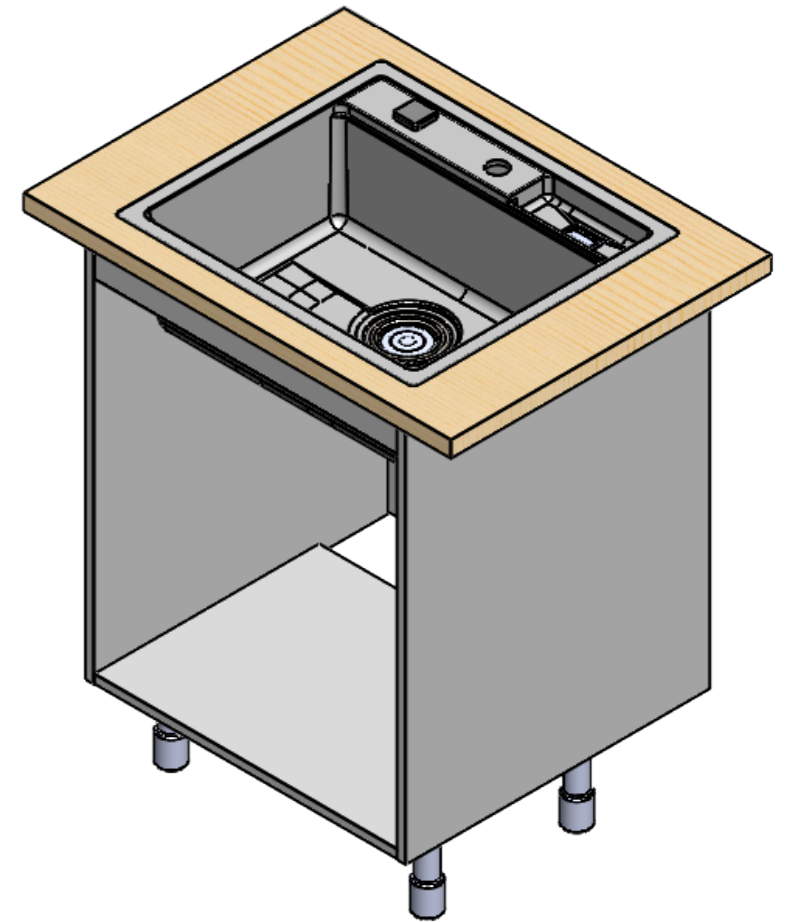
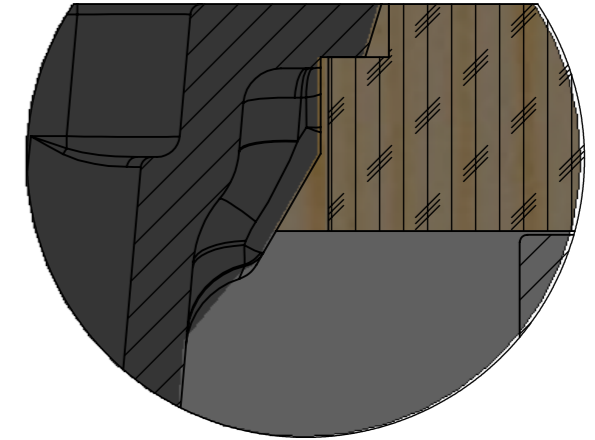
Change description

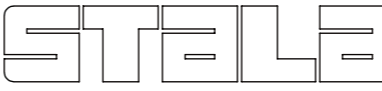
Date

Designed by



E (1:1)



 www.stala.com	General tolerance Size A3 Scale 1:10	Item Description CEG51-57_F Technical Data Sheet	Designed by VS	Date 12.05.2021
	Drawing number 19296	Sheet/sheets 3/4	Approved by VS	Date 12.05.2021
			Rev A	

