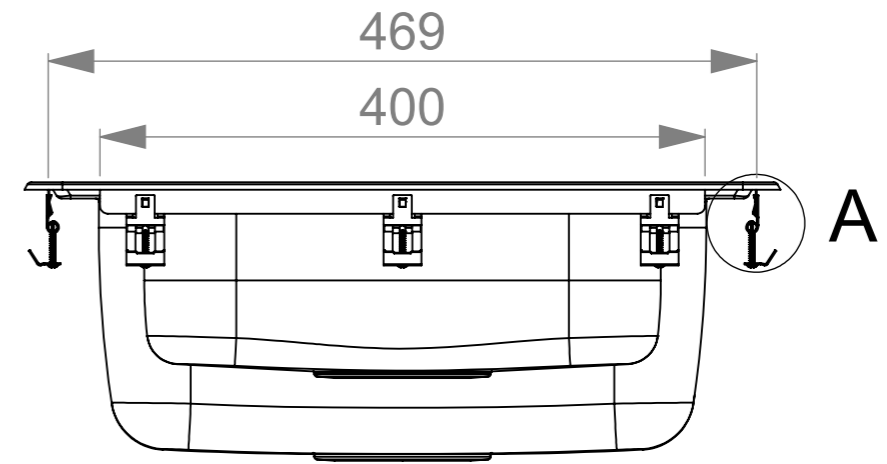
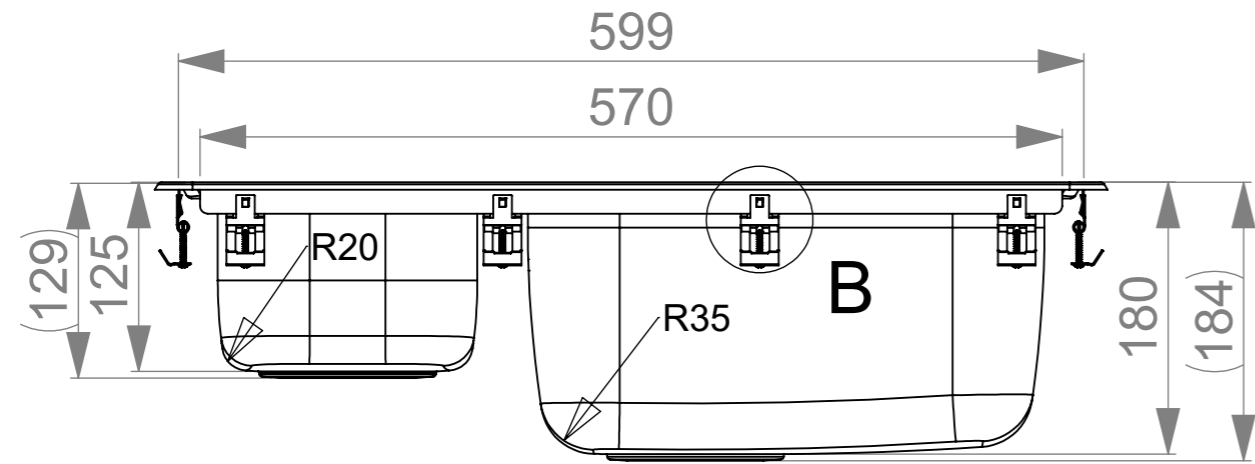
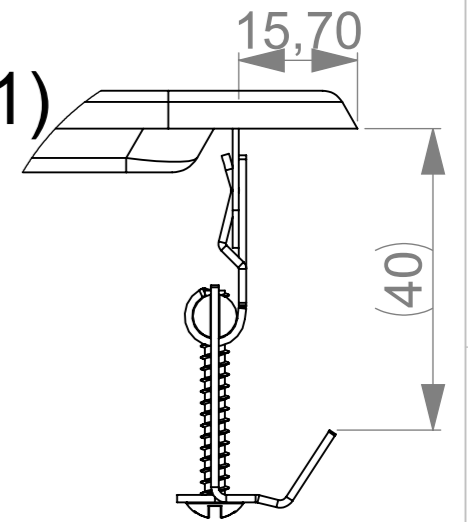


5	6	7	8
Change description			Date
			Designed by

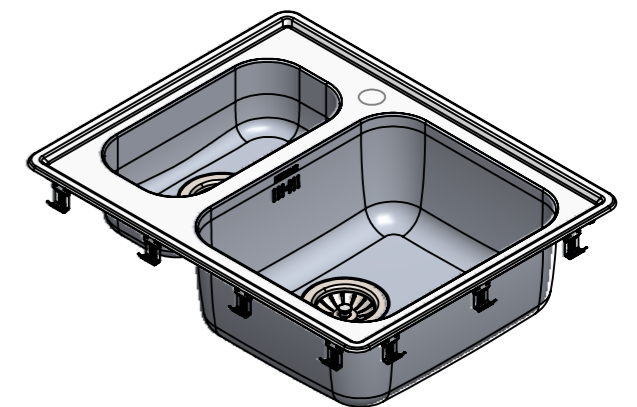
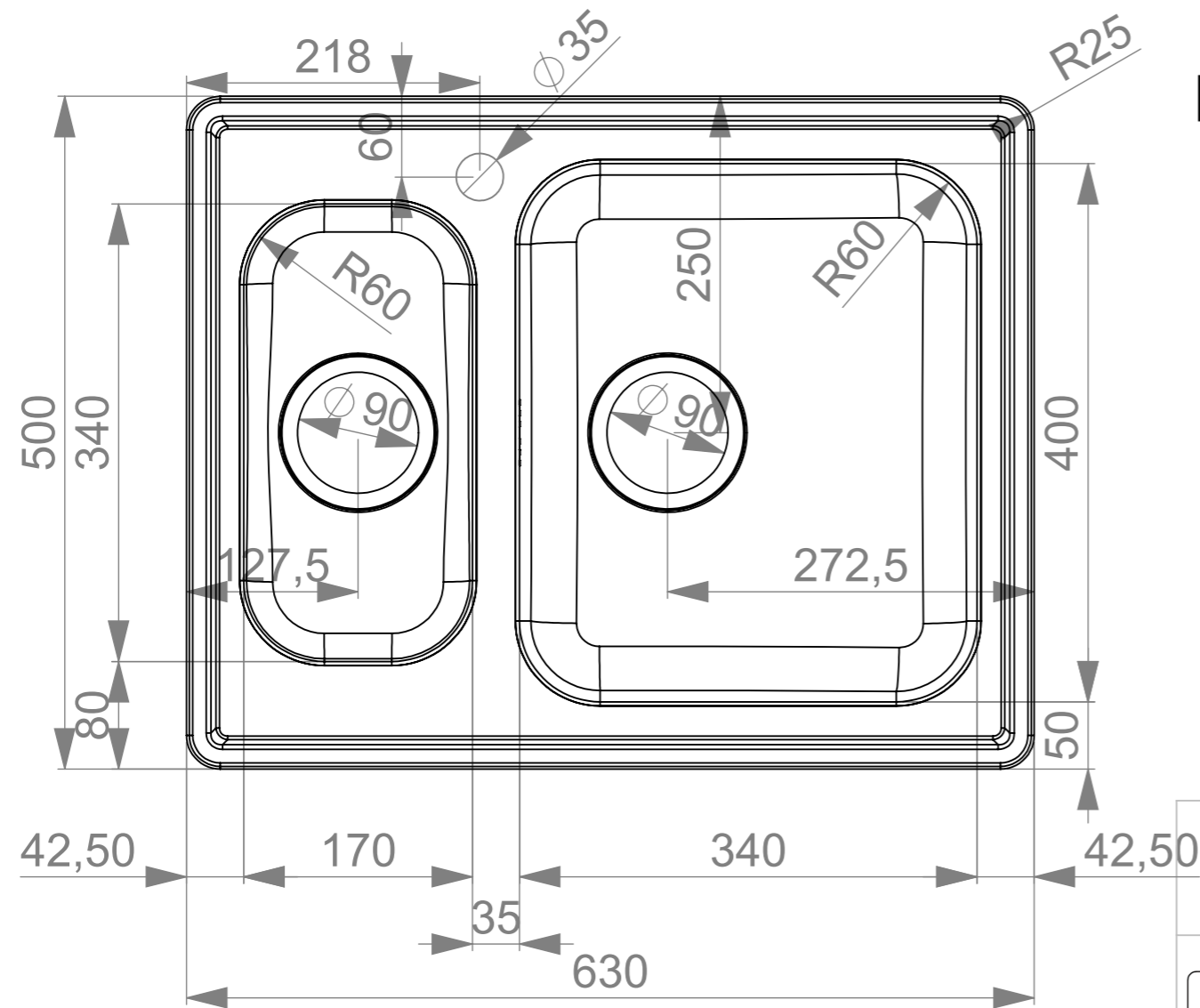
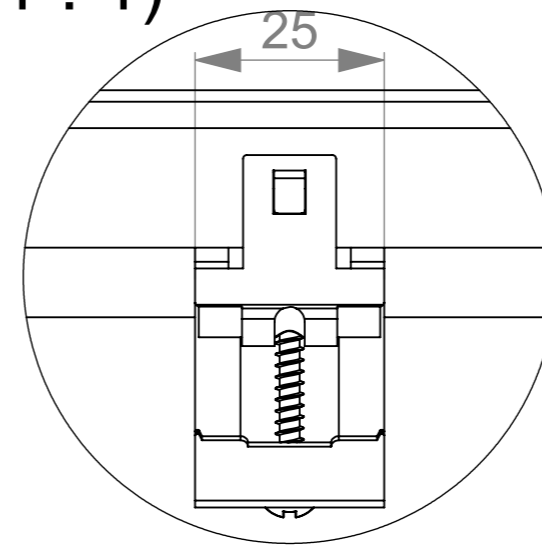
MAIN DIMENSIONS

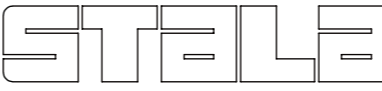


A (1 : 1)



B (1 : 1)



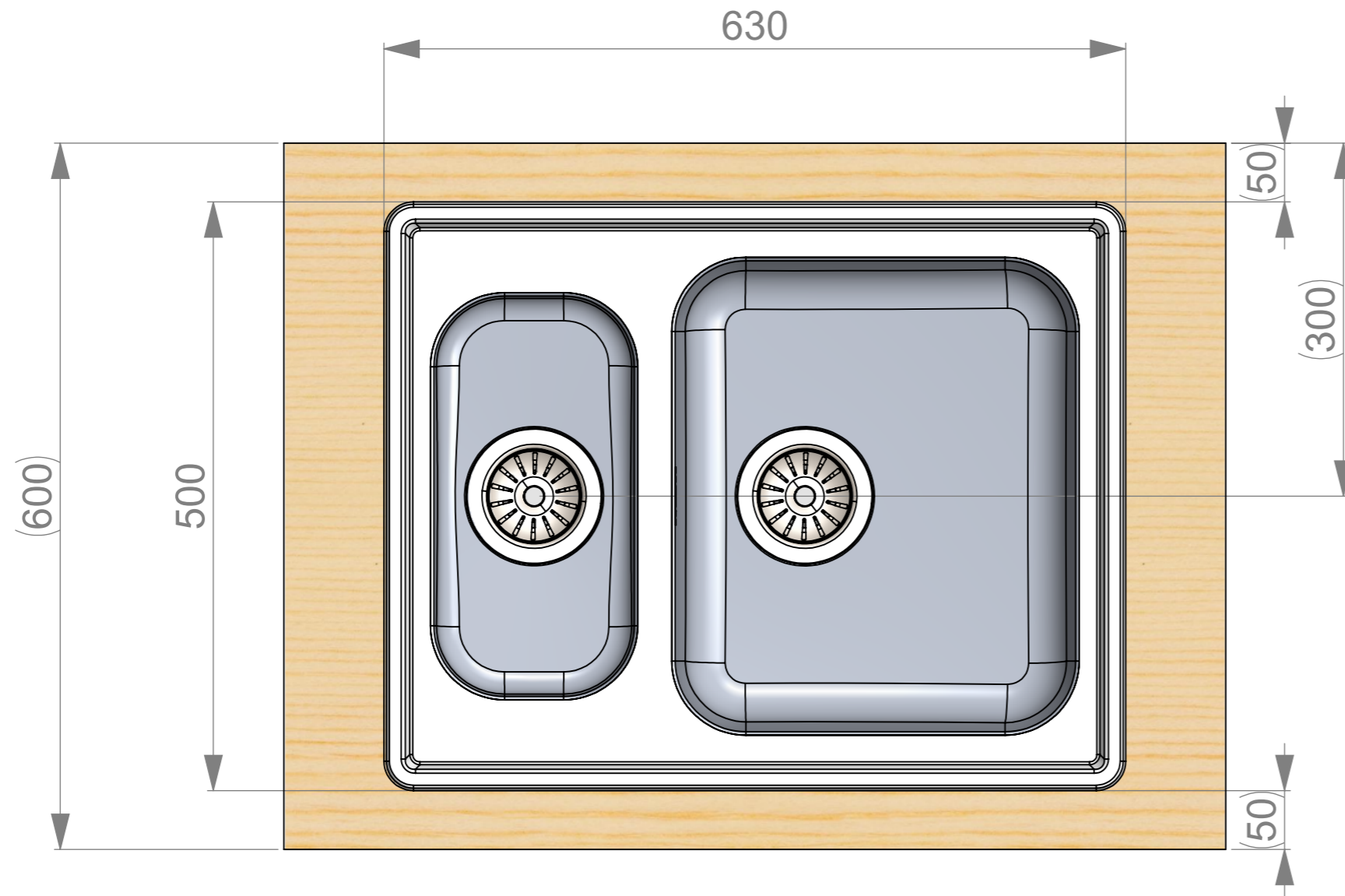
 www.stala.com	Mass 28.39 kg	General tolerance	Designed by VS	Date 01.10.2020
	Size A3		Scale 1:5	Approved by VS
Description L40-17		Drawing number 19200	Sheet/sheets 1/6	
Technical Data Sheet			Rev A	

WORKTOP ASSEMBLY

Change description

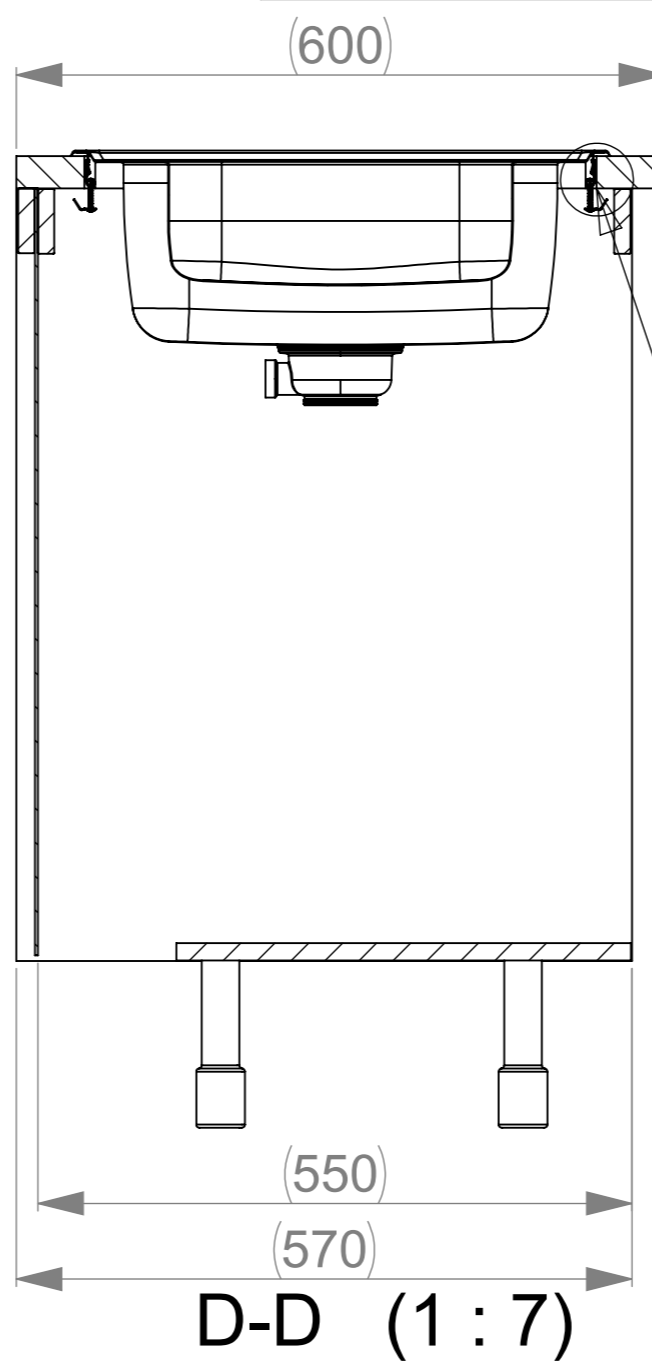
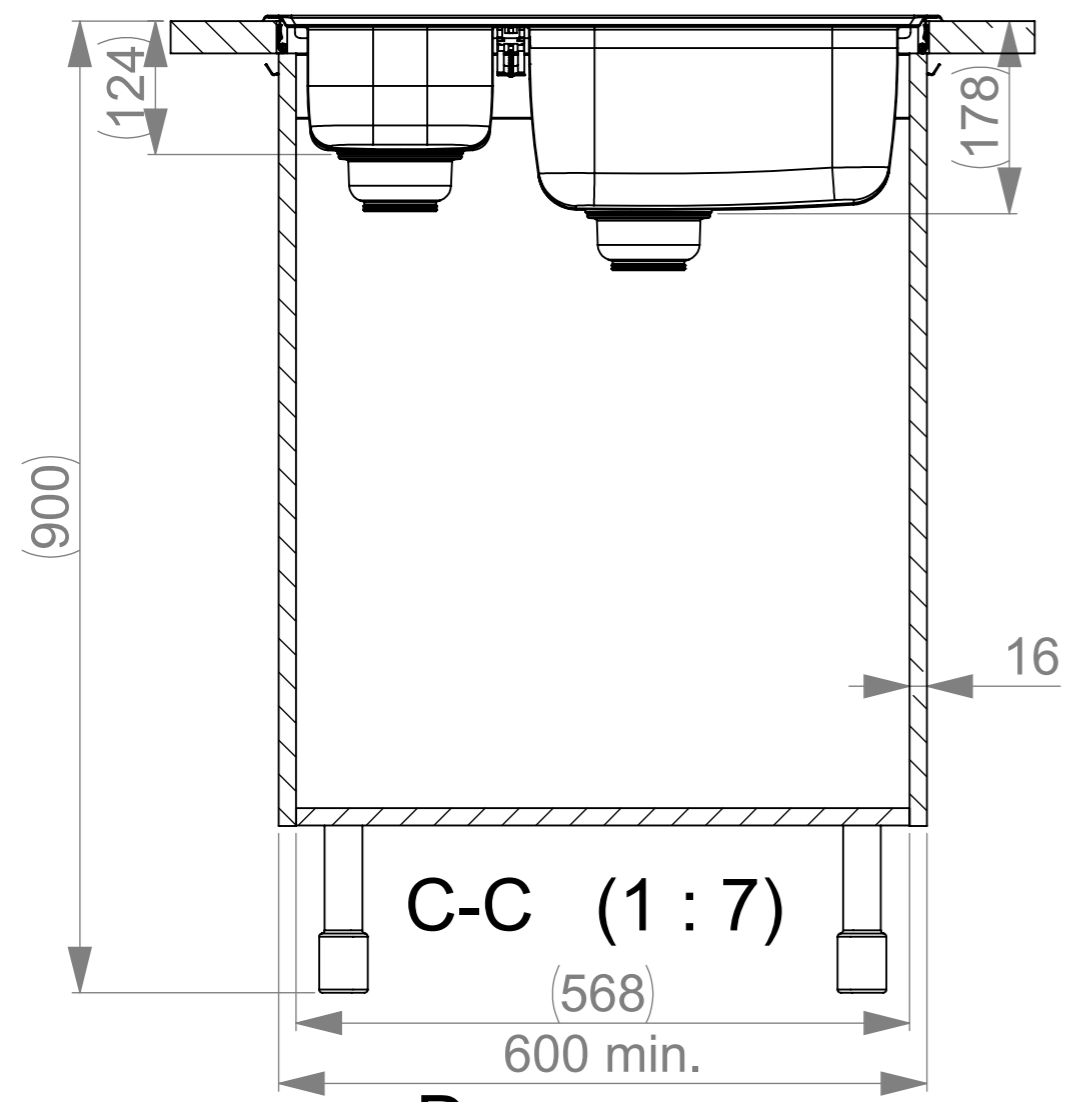
Date

Designed by

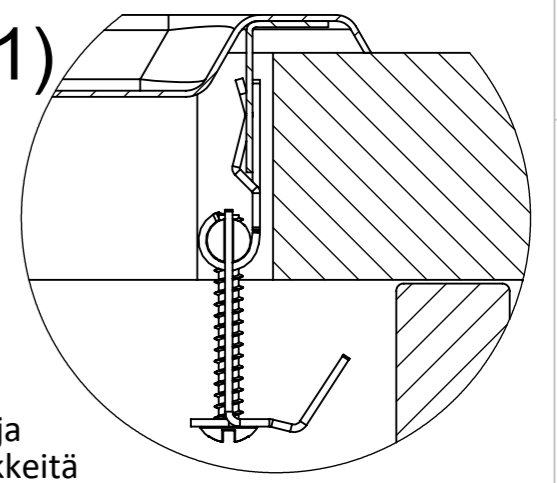


	Mass	28.39 kg	General tolerance	Designed by	VS	Date	01.10.2020	
	Size	A3		Scale	1:5	Item	Approved by	VS
 www.stala.com	Description			L40-17		Drawing number	19200	
	Technical Data Sheet			Sheet/sheets		2/6		
			Rev		A			

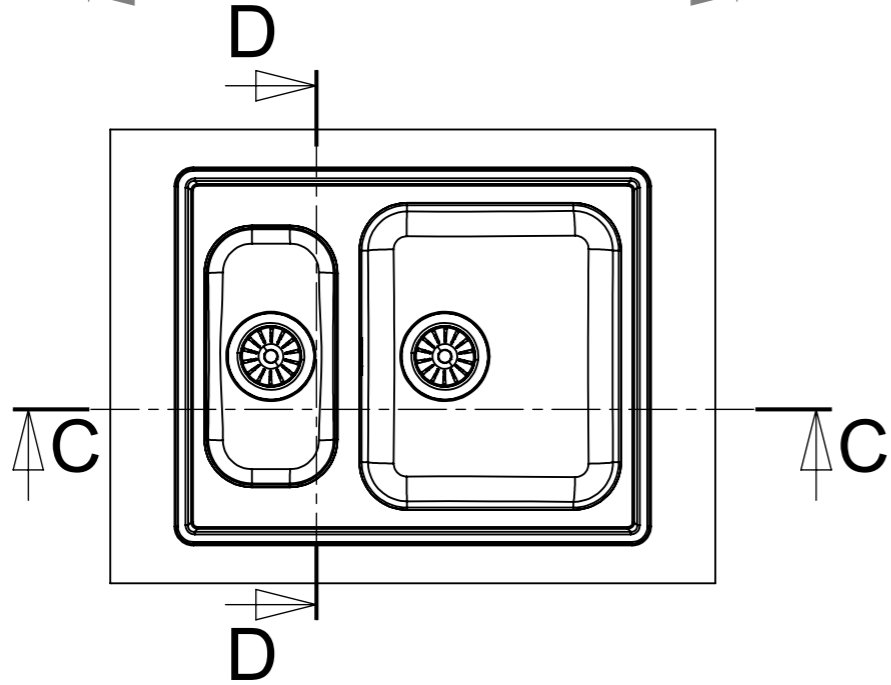
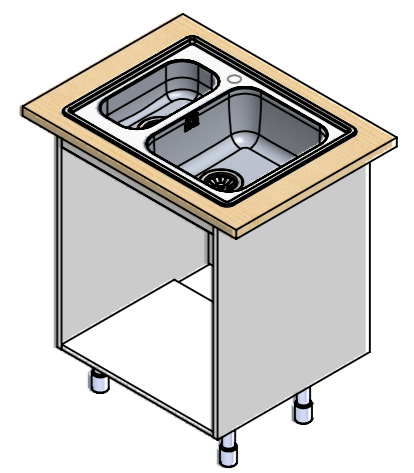
SPACE REQUIREMENTS

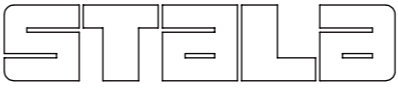


E (1:1)

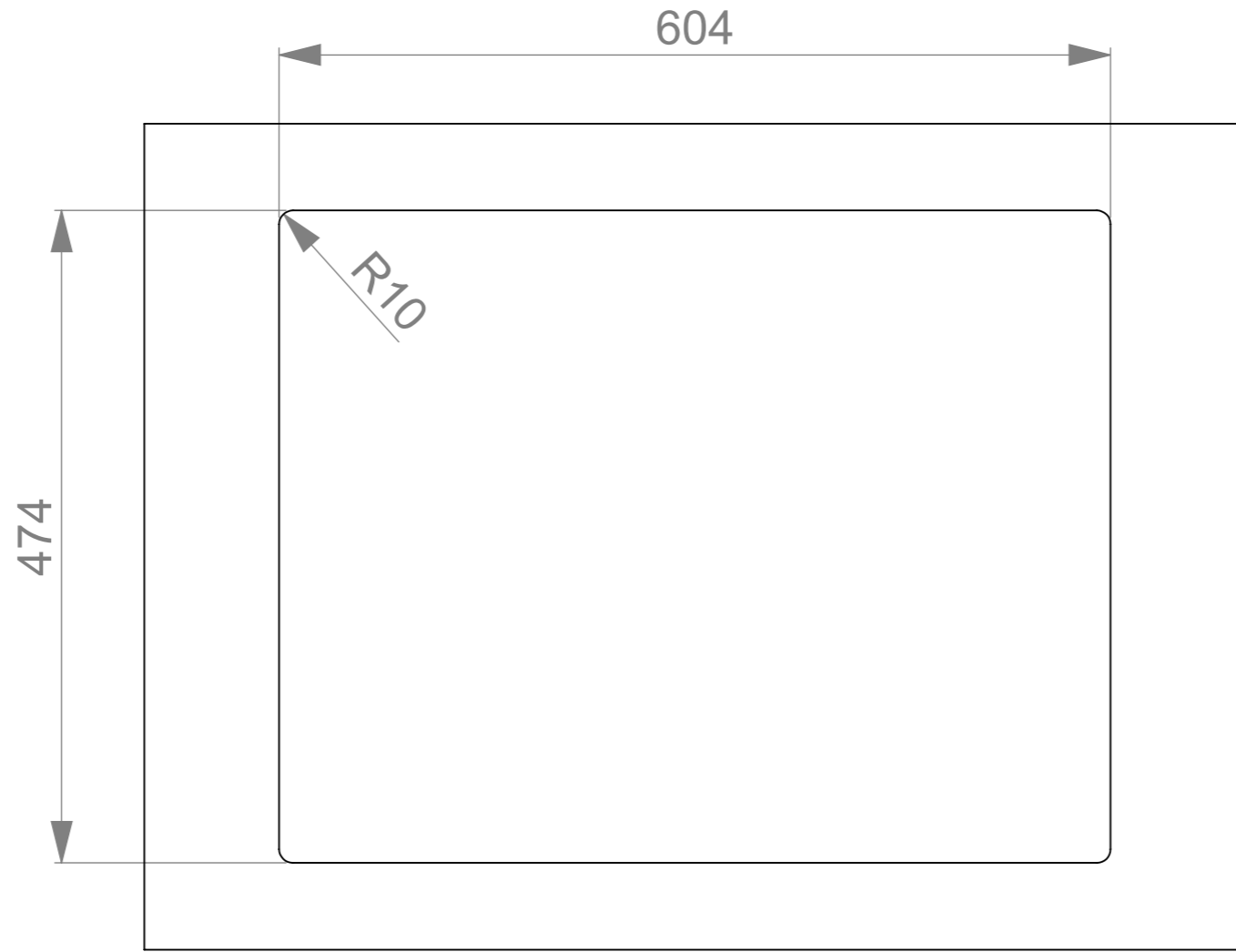


Huom!
 Tarvittaessa kaapin väliseinää ja etu/takalistaa lovetettava kiinnikkeitä varten ja pesuallas on kiinnitettävä ennen työtason asennusta.
Obs!
 Vid behov måste en inskärning för hofästena göras i skåpets mellanvägg och förbindningslist och diskbänken måste fästas innan du monterar bänkskivan.
Notice!
 The partition walls and front/back list of the cupboard must be notched for the sink mountings when needed and the sink must be fastened before installing the worktop.



 www.stala.com	Mass 28.39 kg	General tolerance (blank)	Designed by VS	Date 01.10.2020
	Size A3	Scale 1:5	Item (blank)	Approved by VS
Description L40-17 Technical Data Sheet			Drawing number 19200	Sheet/sheets 3/6
				Rev A

CUT-OUT



Change description	Date	Designed by
--------------------	------	-------------

	Mass	28.39 kg	General tolerance	Designed by	Date
	Size	A3	Scale	VS	01.10.2020
	Description		Item	Approved by	Date
	L40-17		VS	VS	15.10.2020
	Technical Data Sheet		Drawing number	Sheet/sheets	Rev
www.stala.com		19200	4/6	A	

