

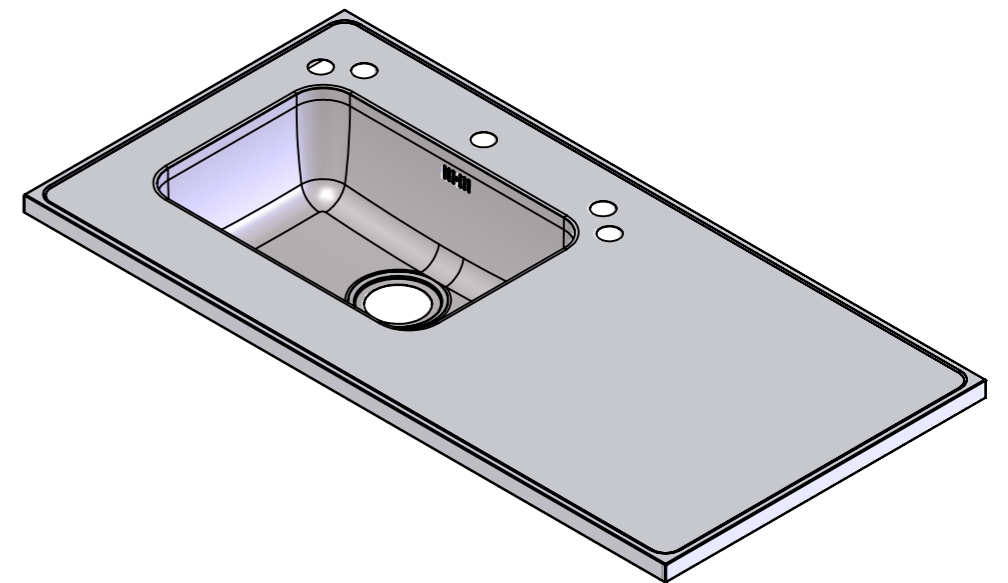
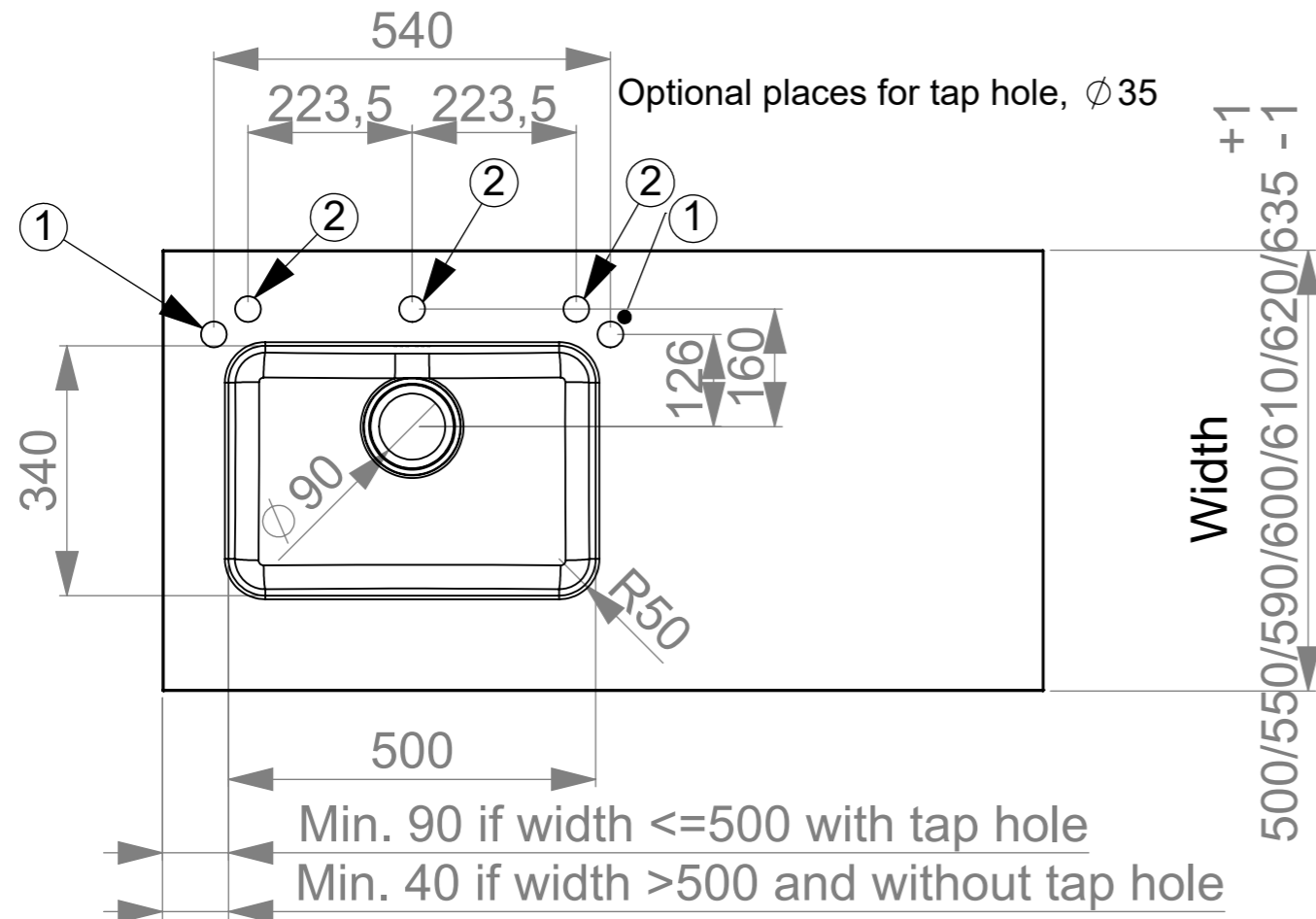
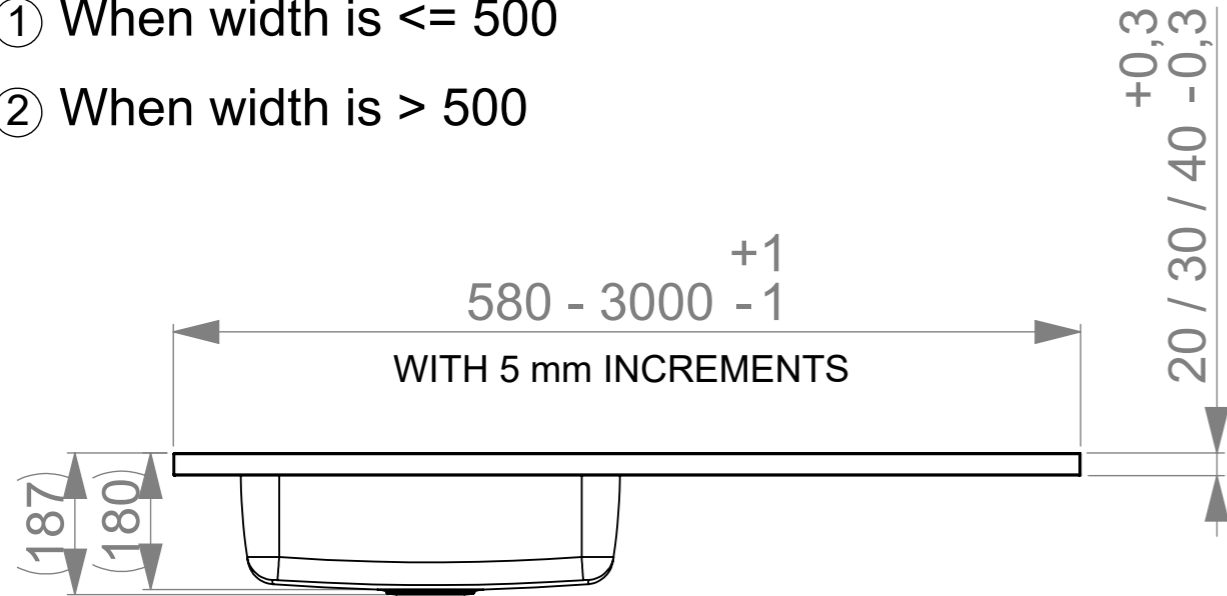
Change description  
Under construction upgraded

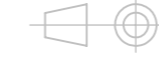
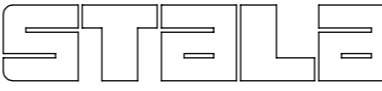
Date  
27.05.2020

Designed by  
VS

### MAIN DIMENSIONS

- ① When width is  $\leq 500$
- ② When width is  $> 500$



	Mass <b>11.80 kg</b>	General tolerance	Designed by <b>VS</b>	Date <b>19.11.2019</b>
	Size <b>A3</b>		Scale <b>1:10</b>	Approved by <b>JP</b>
 www.stala.com	Description <b>L SEVEN</b> <b>Technical Data Sheet</b>		Drawing number <b>19033</b>	Sheet/sheets <b>1/5</b>
				Rev <b>B</b>

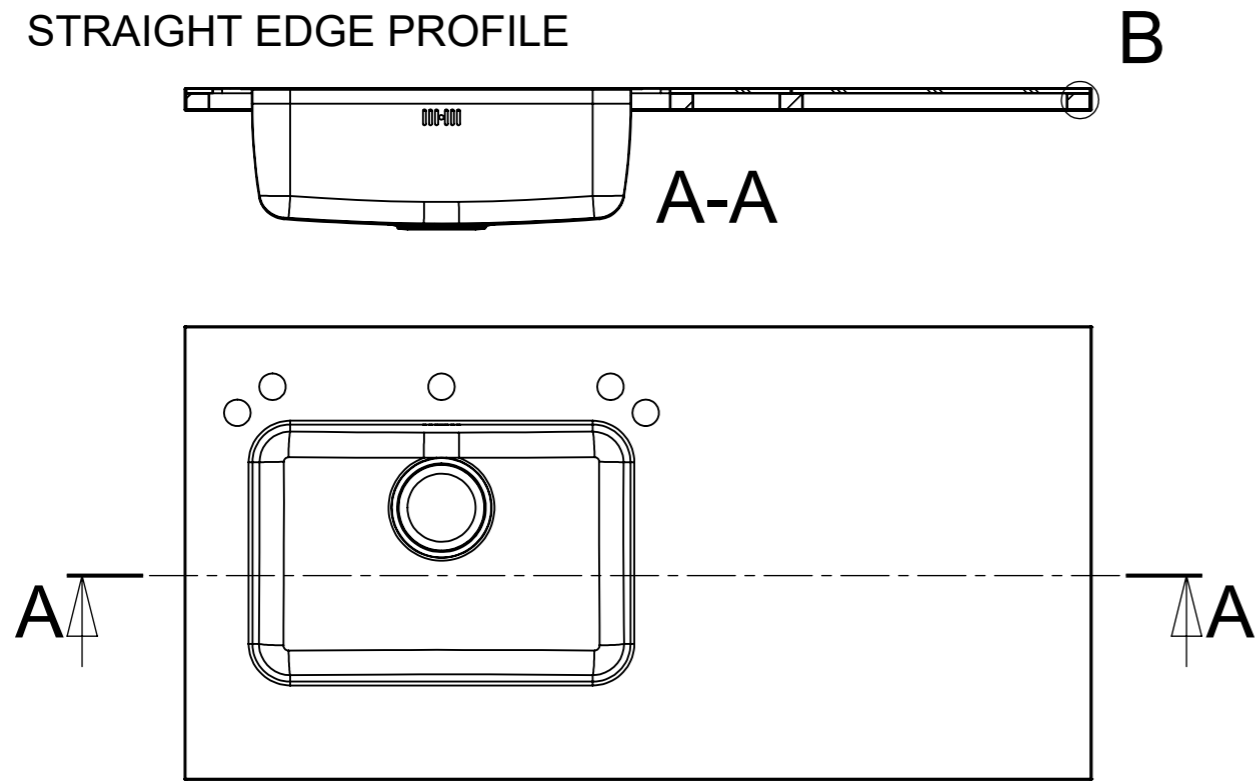
Change description  
Under construction upgraded

Date  
27.05.2020

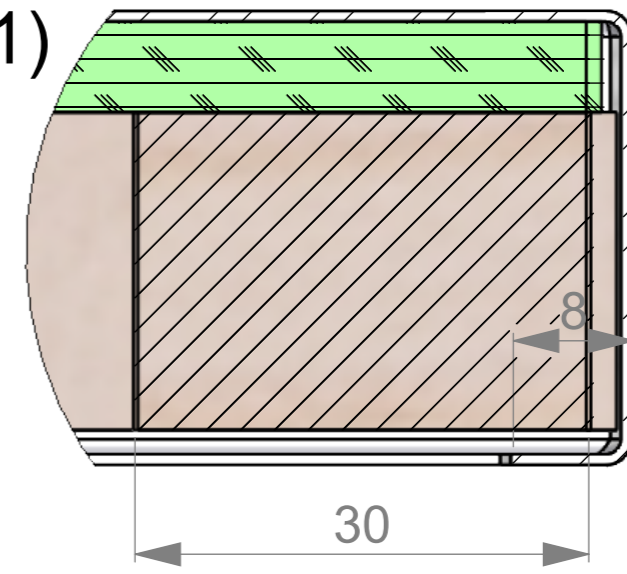
Designed by  
VS

### EDGE PROFILES

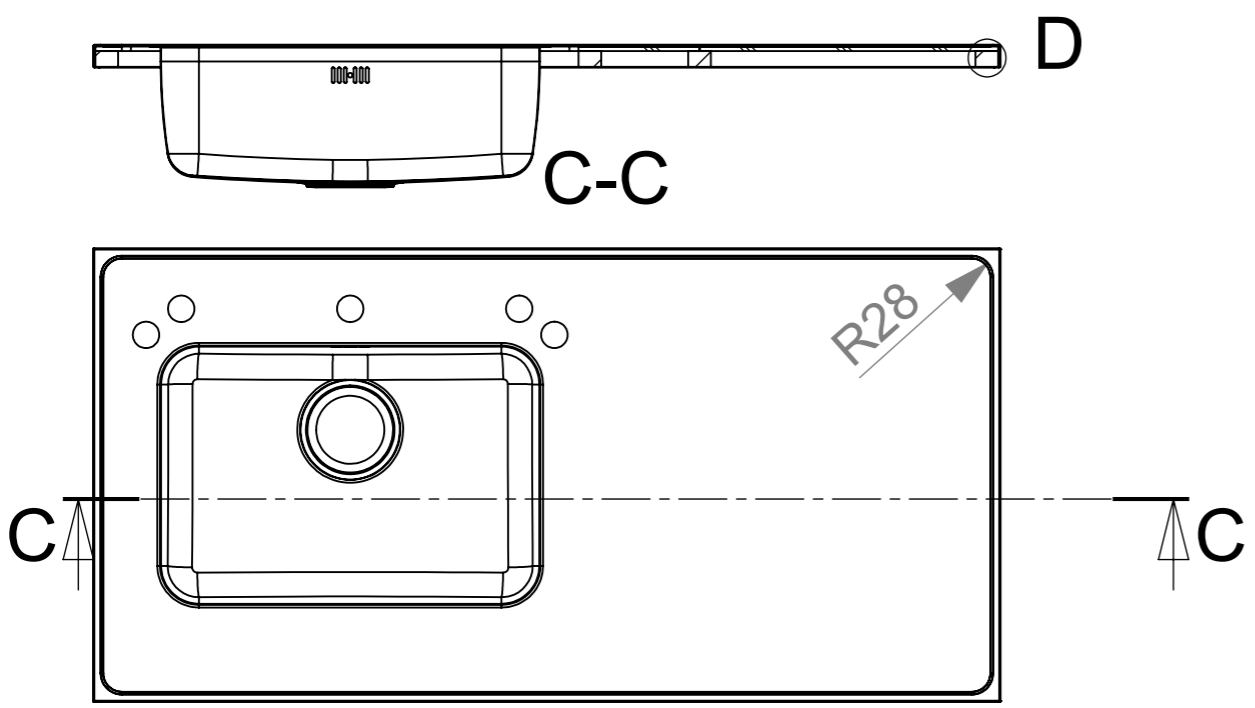
#### STRAIGHT EDGE PROFILE



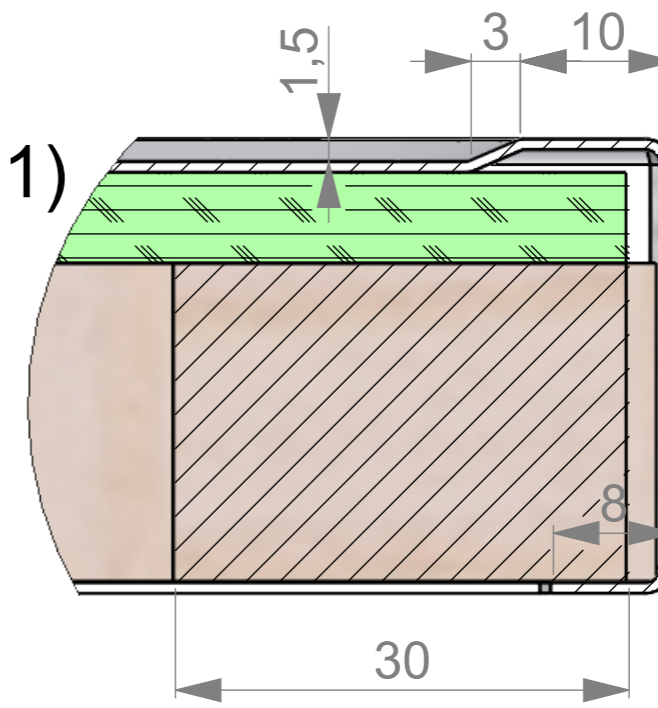
#### B (2 : 1)

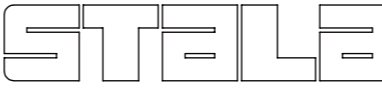


#### RAISED EDGE PROFILE



#### D (2 : 1)



 www.stala.com	Mass <b>7.48 kg</b>	General tolerance 	Designed by <b>VS</b>	Date <b>19.11.2019</b>
	Size <b>A3</b>	Scale <b>1:10</b>	Item 	Approved by <b>JP</b>
Description <b>L SEVEN</b> <b>Technical Data Sheet</b>			Drawing number <b>19033</b>	Sheet/sheets <b>2/5</b>
				Rev <b>B</b>

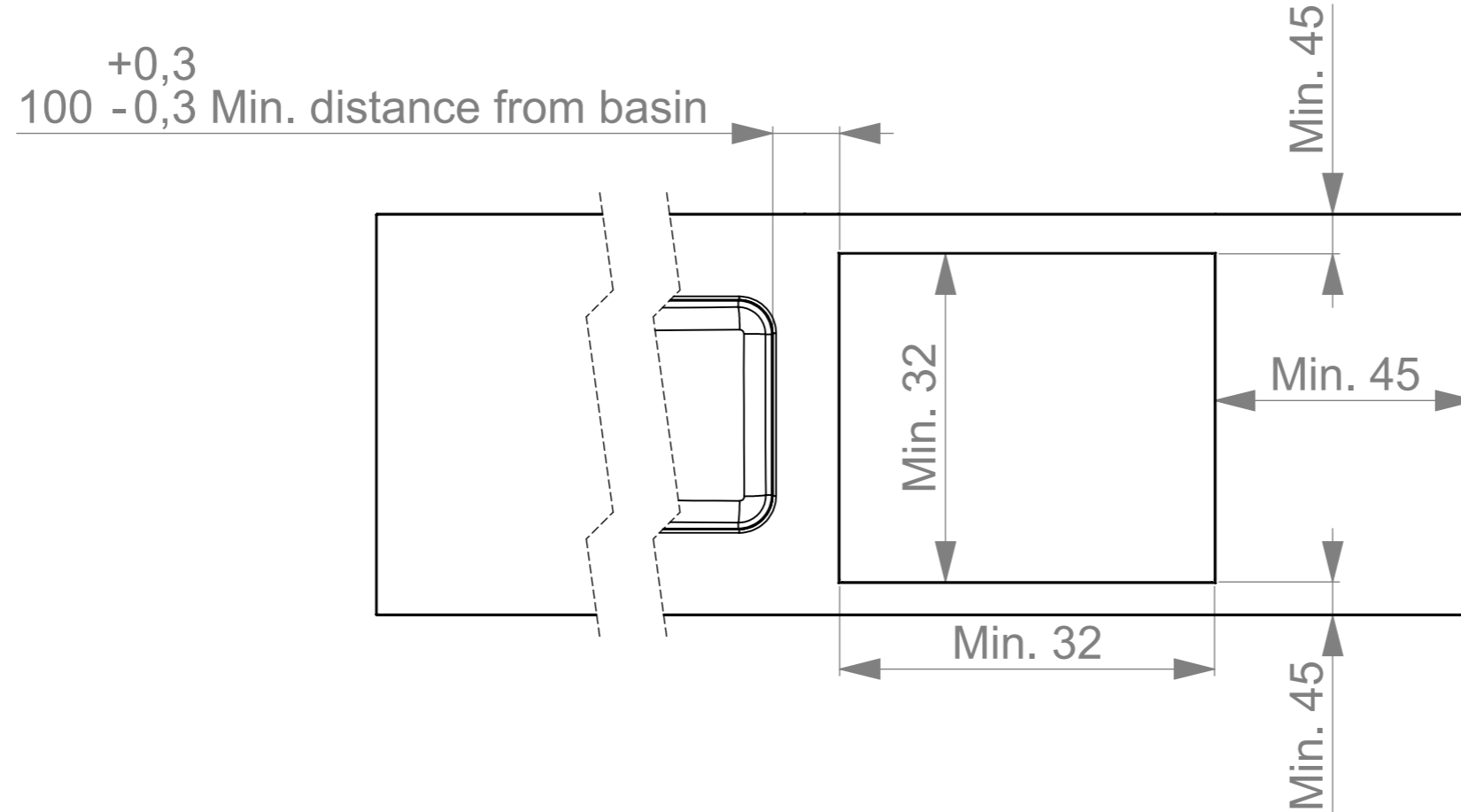
# HOB CUTOUT

Change description  
Under construction upgraded

Date  
27.05.2020

Designed by  
VS

## PRINCIPLE MEASUREMENTS FOR HOB CUTOUT

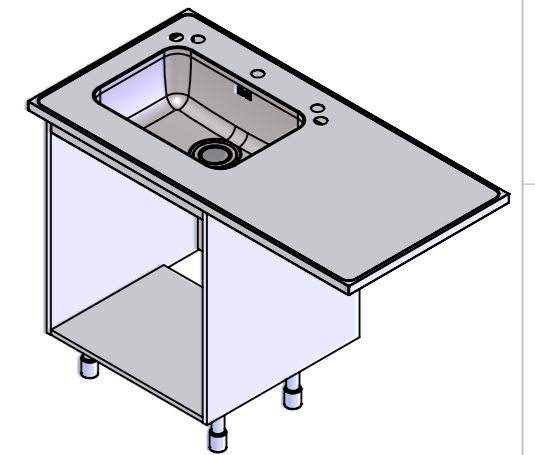
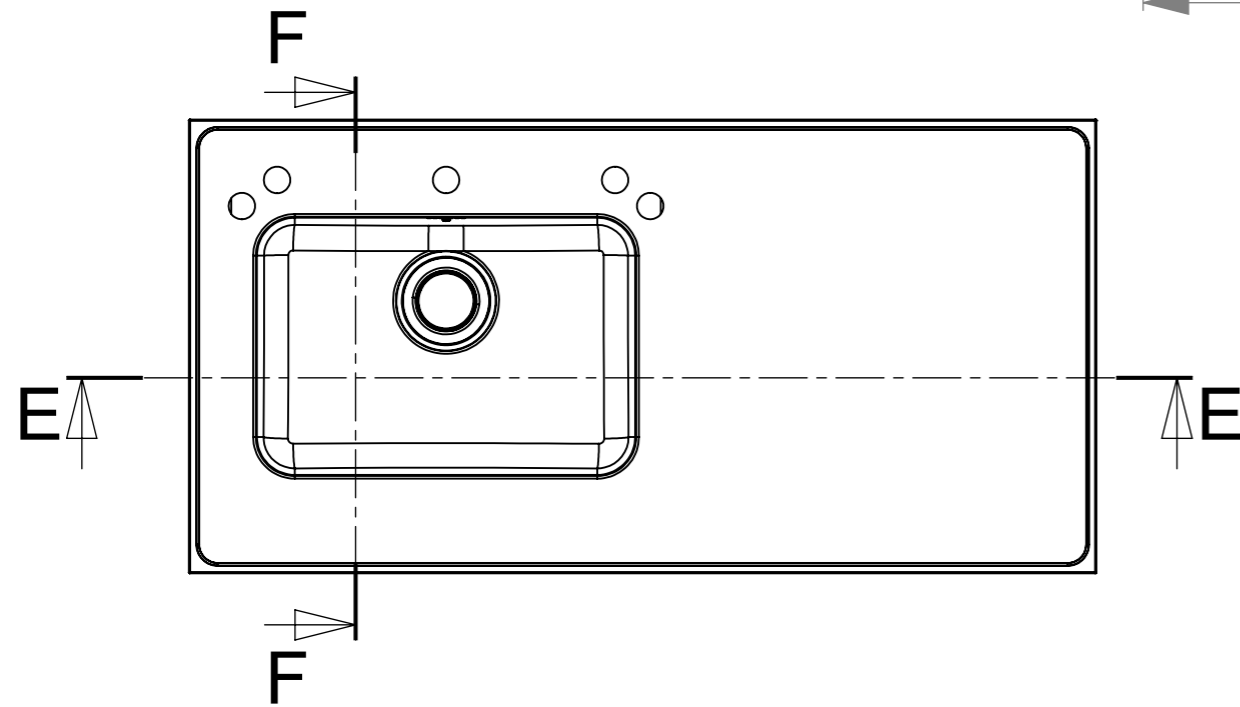
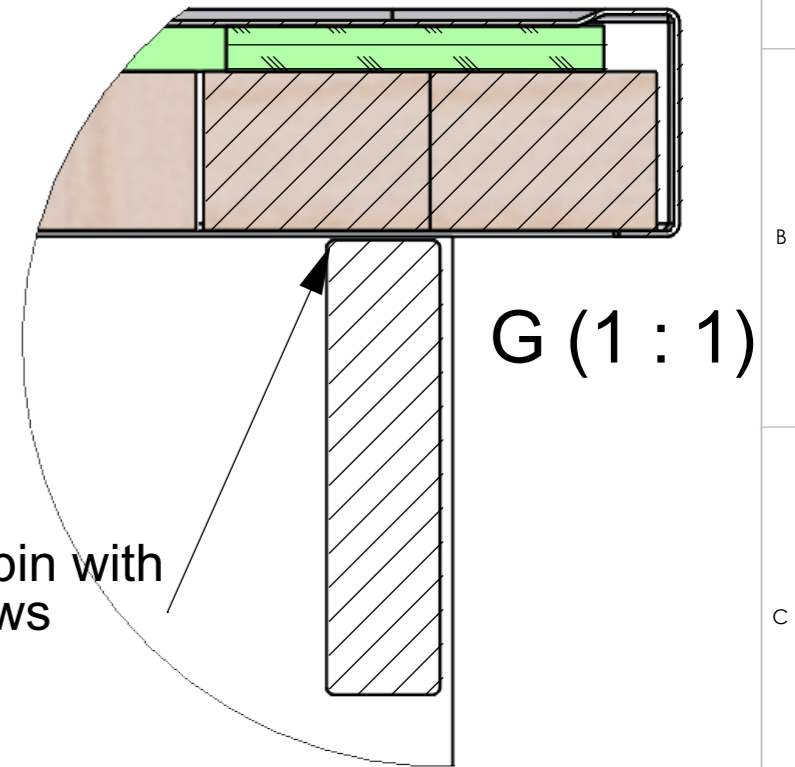
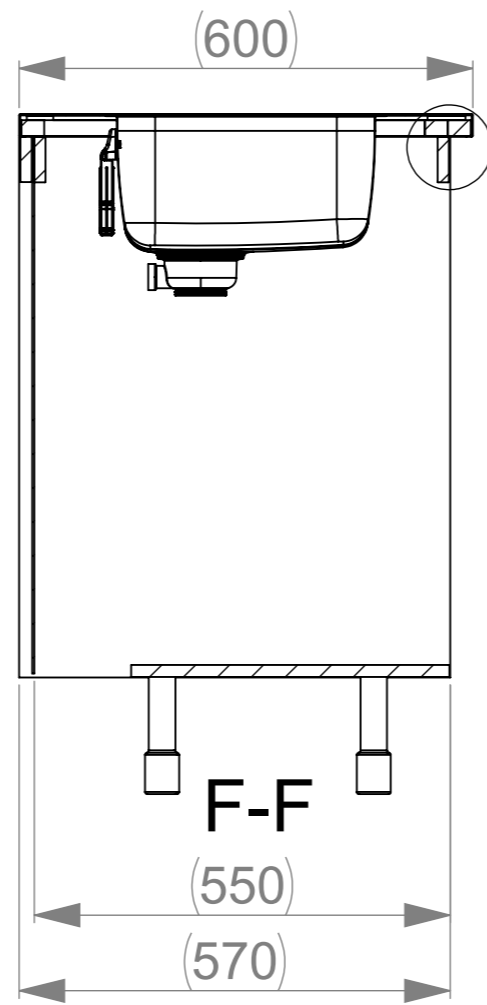
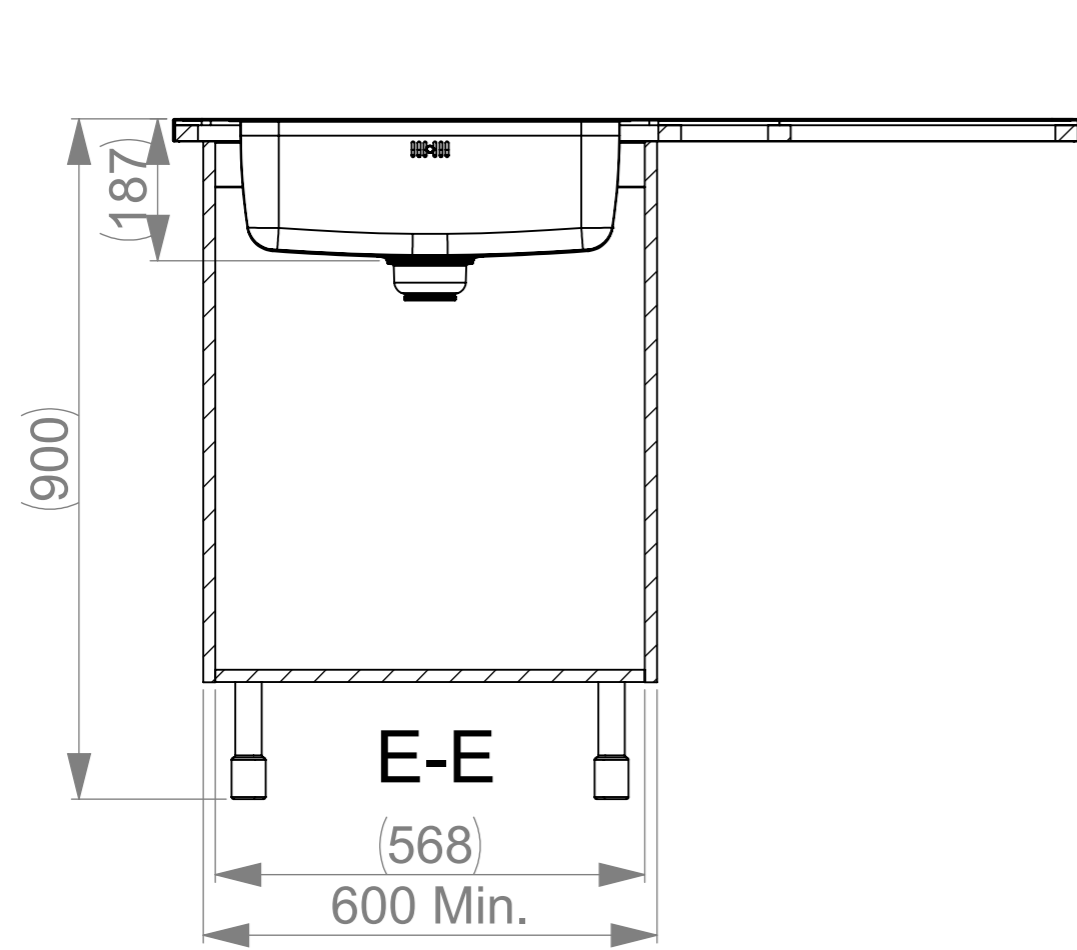



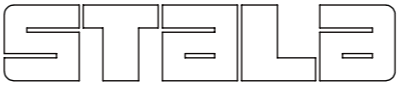
	Mass	9.51 kg	General tolerance	Designed by	Date	
	Size	A3	Scale	1:10	Item	VS
 www.stala.com		Description <b>L SEVEN</b> Technical Data Sheet		Approved by	Date	
				JP	03.01.2020	
		Drawing number <b>19033</b>		Sheet/sheets	3/5	
				Rev	B	

Change description  
Under construction upgraded

Date  
27.05.2020  
Designed by  
VS

# SPACE REQUIREMENTS



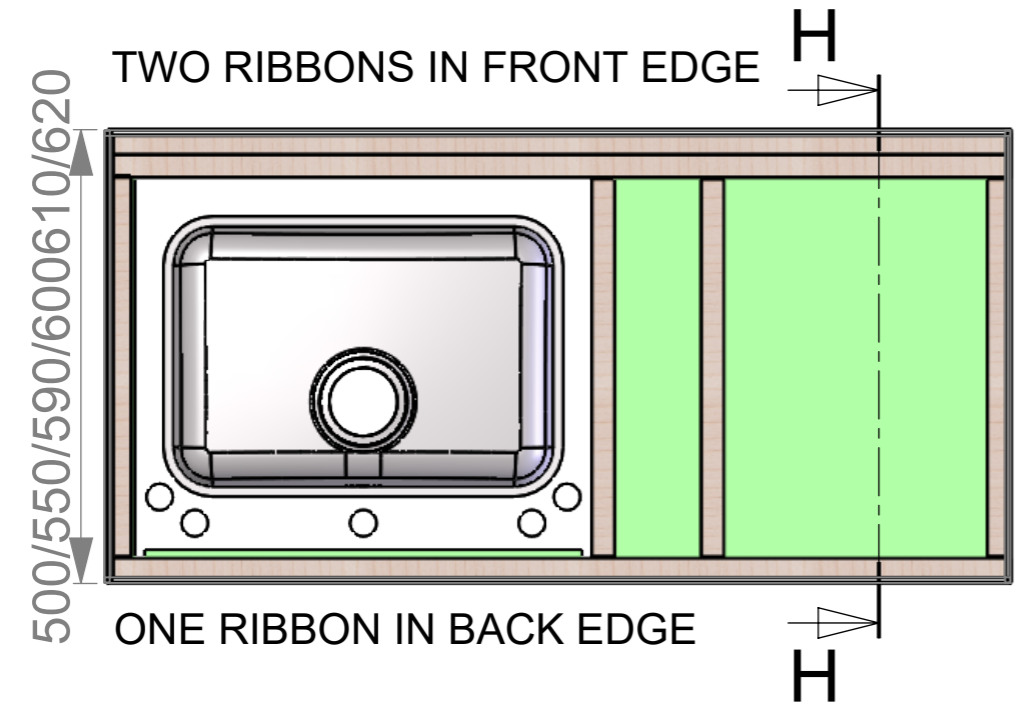
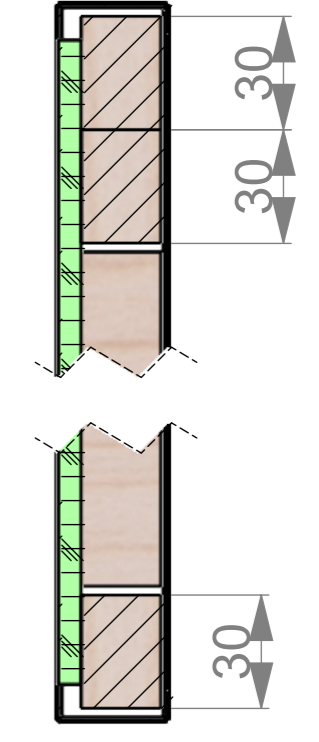
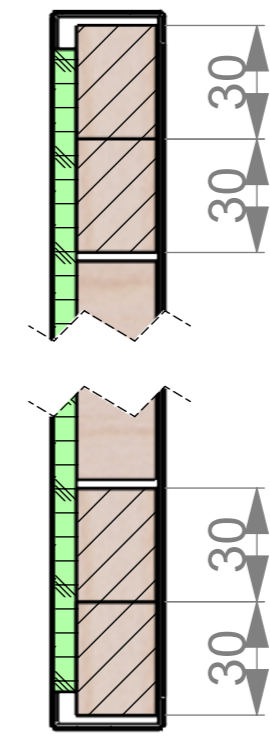
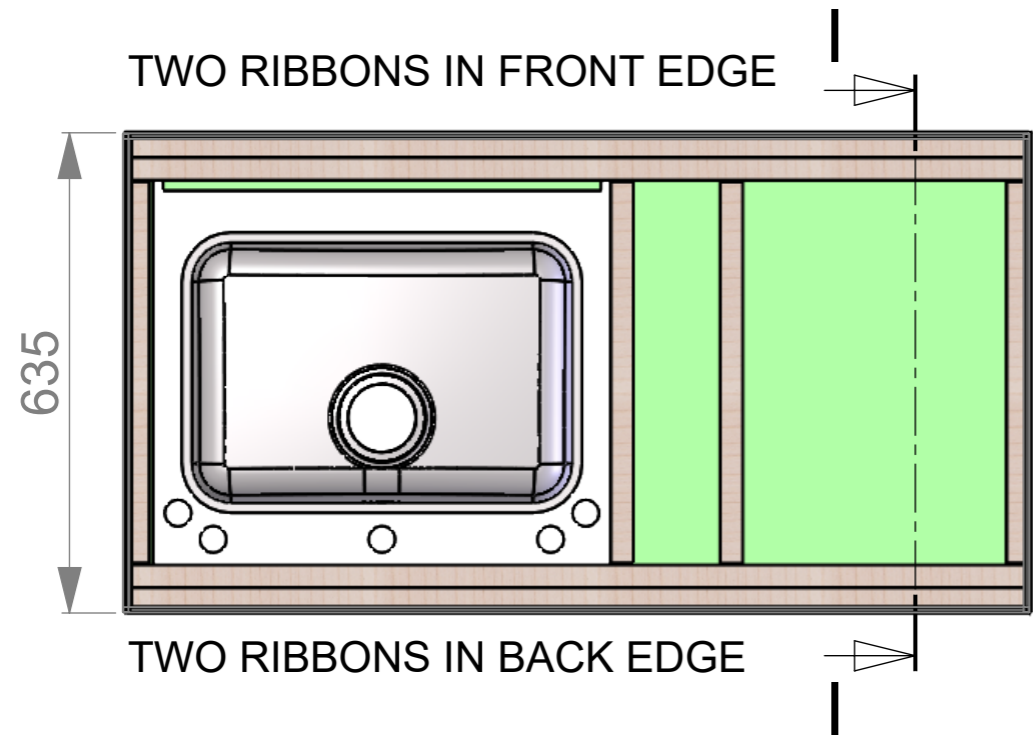
	Mass <b>27.99 kg</b>	General tolerance	Designed by <b>VS</b>	Date <b>19.11.2019</b>
	Size <b>A3</b>		Scale <b>1:10</b>	Approved by <b>JP</b>
 www.stala.com	Description <b>L SEVEN</b> <b>Technical Data Sheet</b>		Drawing number <b>19033</b>	Sheet/sheets <b>4/5</b>
				Rev <b>B</b>



Change description  
Under construction upgraded

Date  
27.05.2020  
Designed by  
VS

UNDER CONSTRUCTION

PRINCIPLE OF UNDER CONSTRUCTION: RIBBONS IN FRONT EDGE AND BACK EDGE



	Mass	8.30 kg	General tolerance	Designed by	VS	Date	19.11.2019	
	Size	A3	Scale	1:10	Item	Approved by	JP	Date
 www.stala.com		Description		Drawing number		Sheet/sheets		
		L SEVEN		19033		5/5		
		Technical Data Sheet				Rev		
						B		