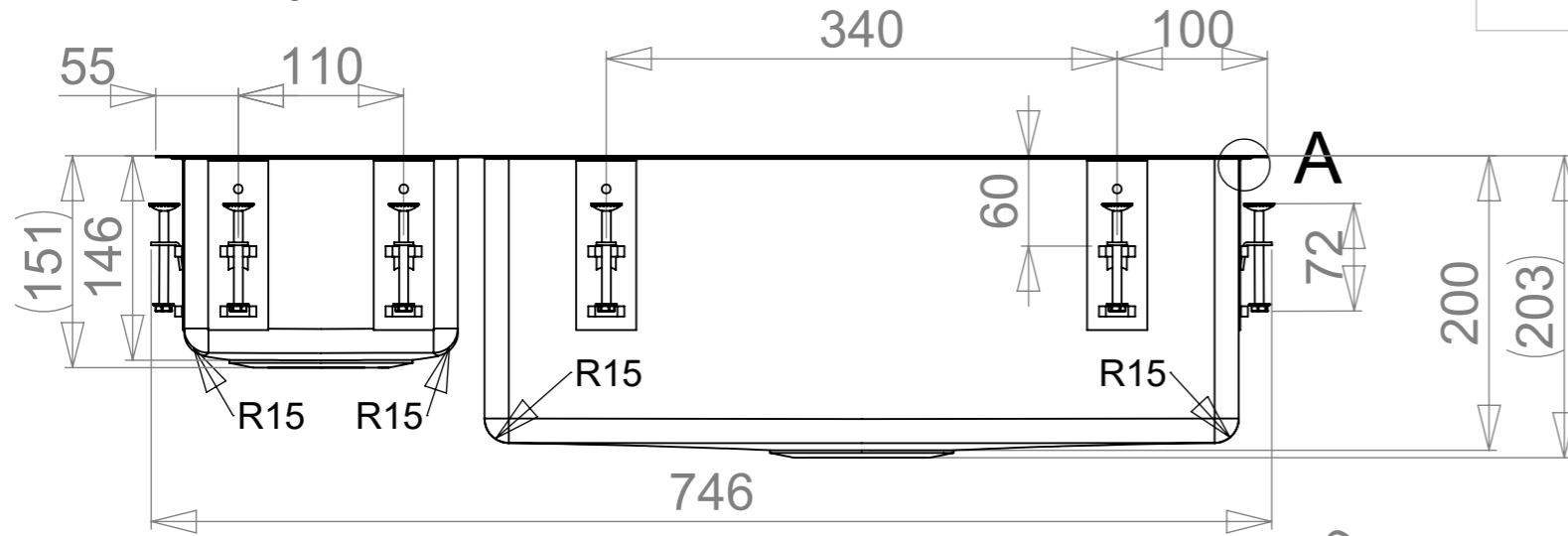


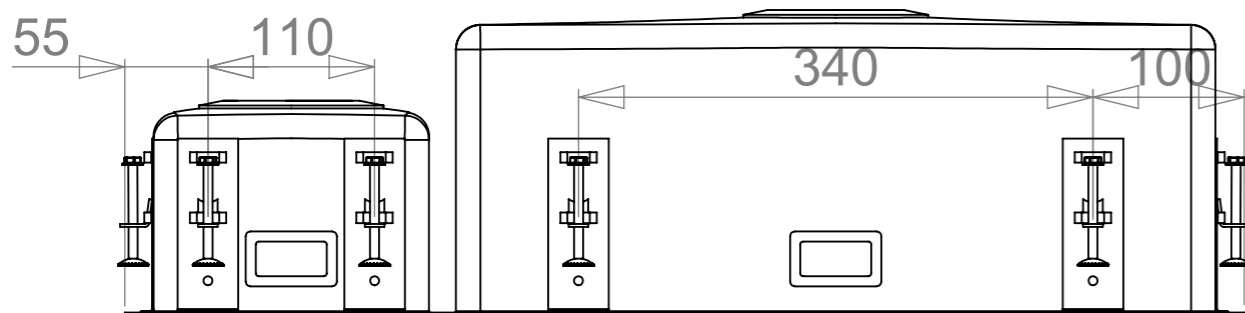
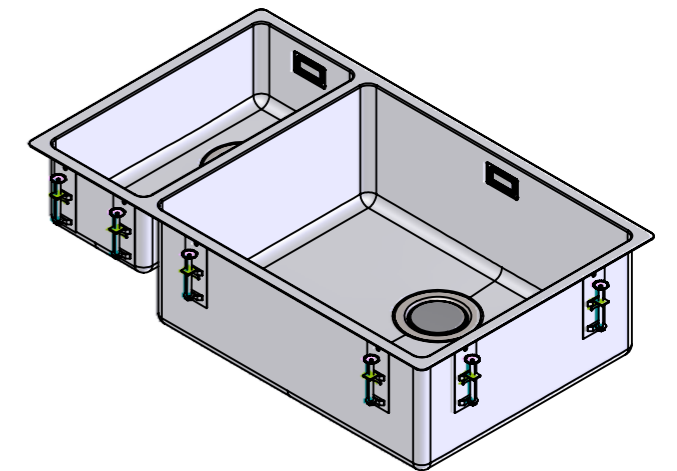
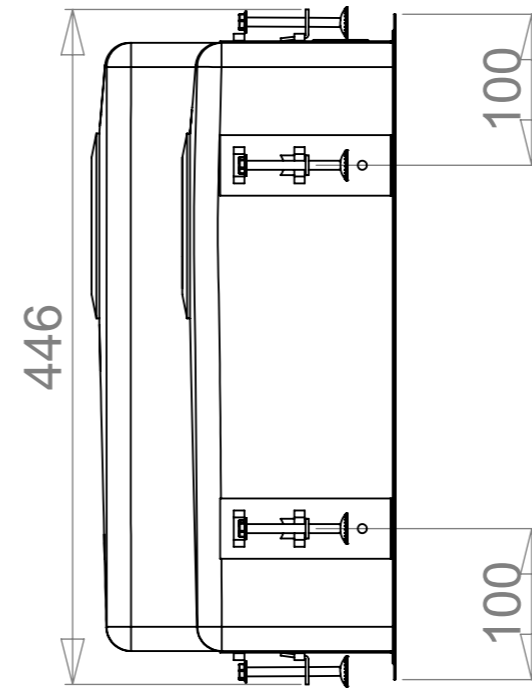
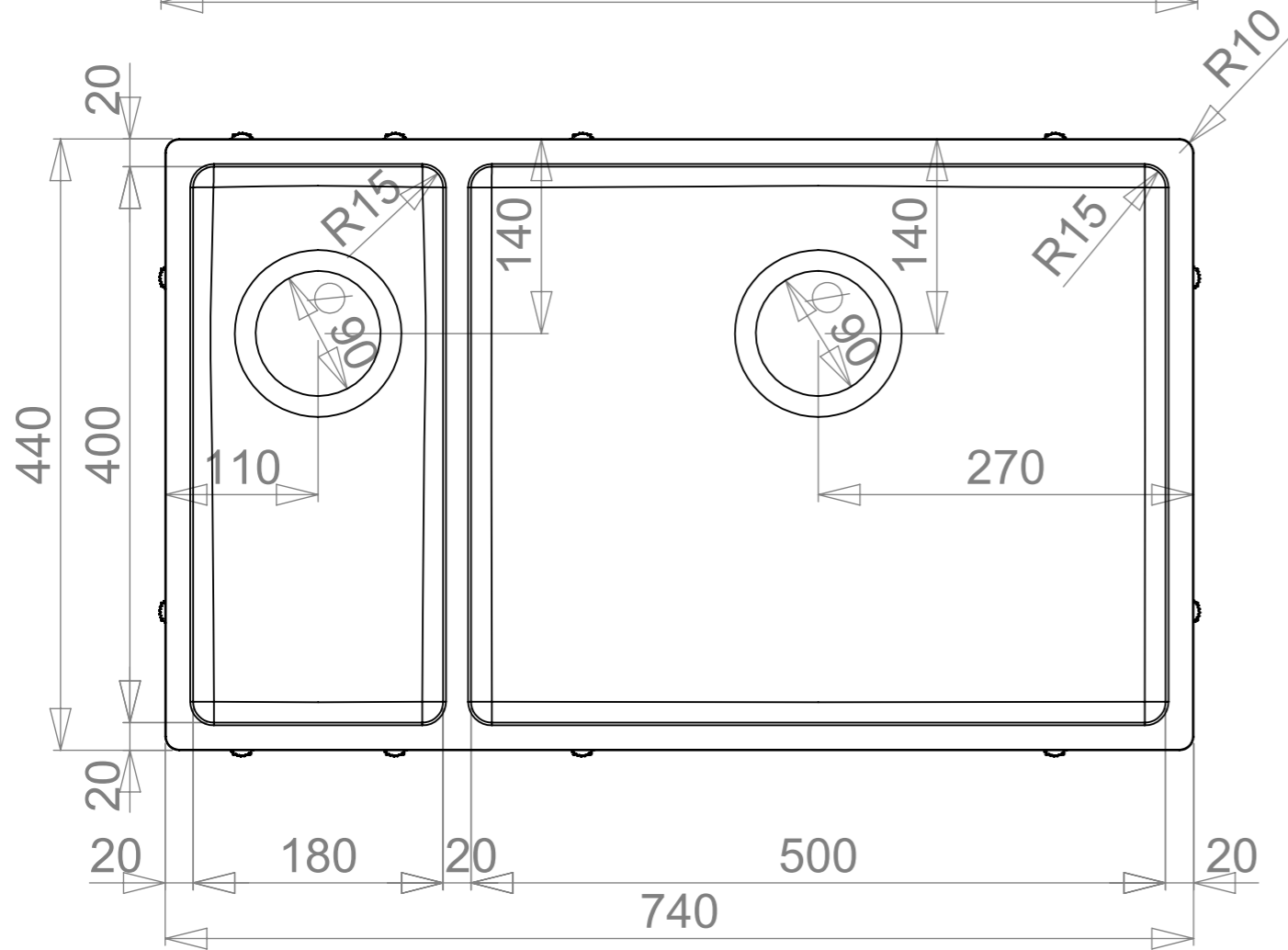
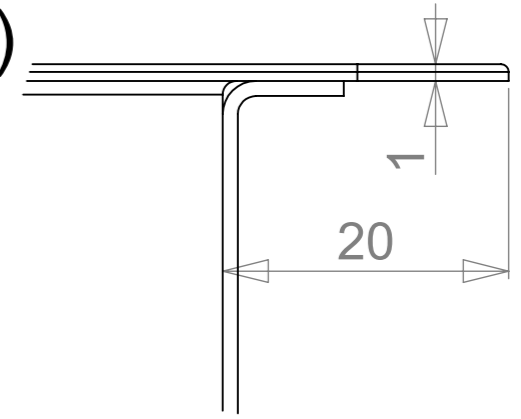
MAIN DIMENSIONS

Change description  
Depth of the small basin changed: 140 -> 150 mm

Date  
02.01.2020  
Designed by  
VS



Mono edge  
A (2 : 1)

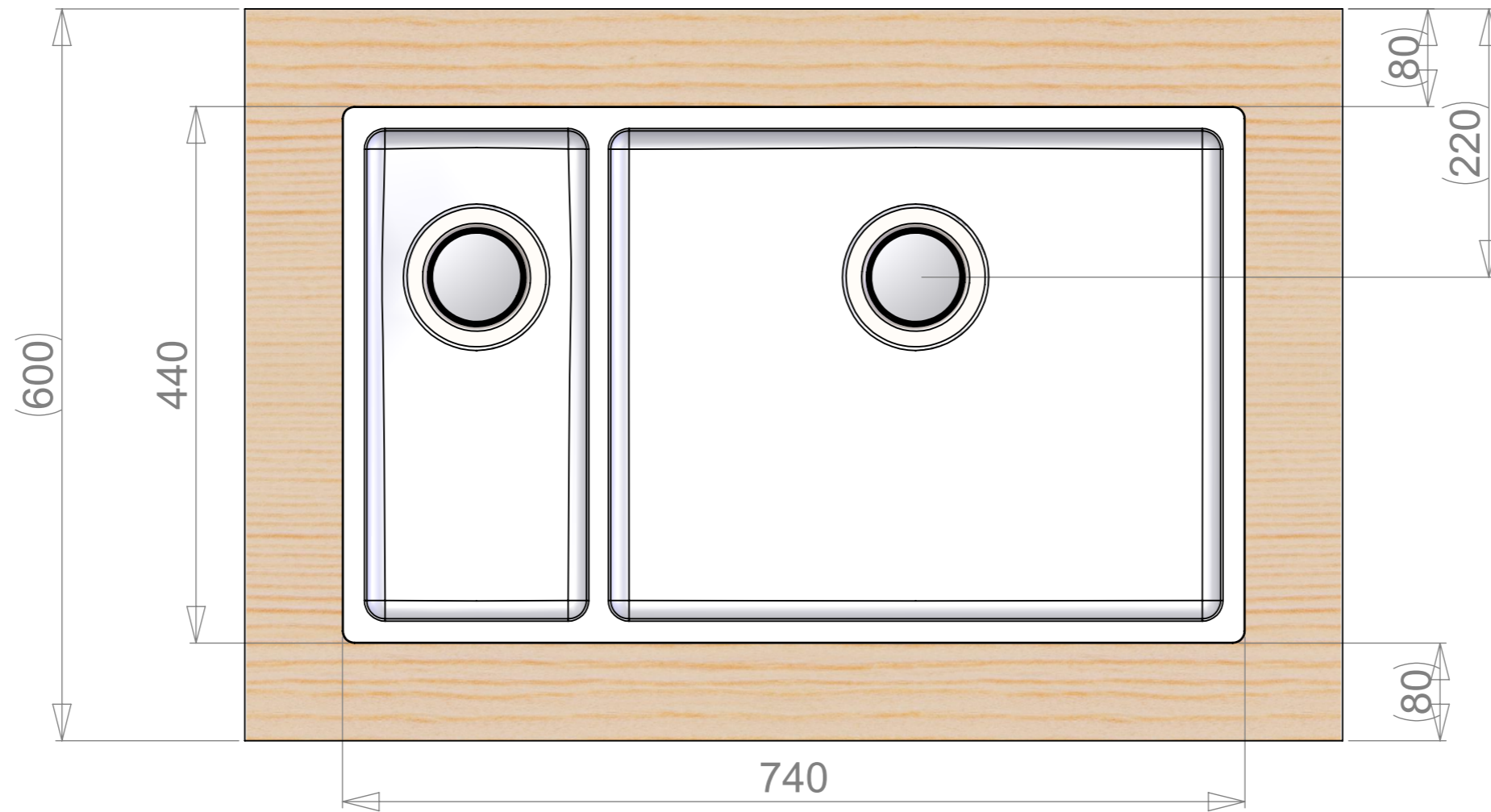


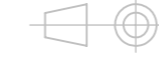
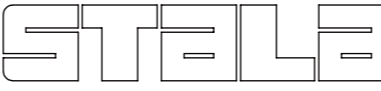
	Mass	0.96 kg	General tolerance	Designed by	Date
	Size	A3	Scale	VS	06.02.2019
 www.stala.com			Item	Approved by	Date
	Description			Drawing number	Sheet/sheets
	LAGOM-18-50 Technical Data Sheet			18194	1/6
				Rev	B

WORKTOP ASSEMBLY

Change description  
 Depth of the small basin changed: 140 -> 150 mm

Date  
 02.01.2020  
 Designed by  
 VS

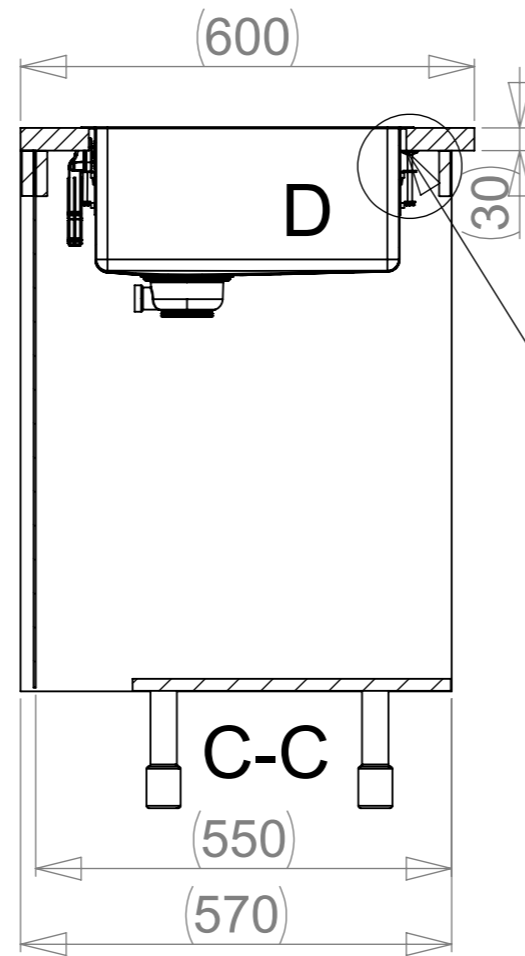
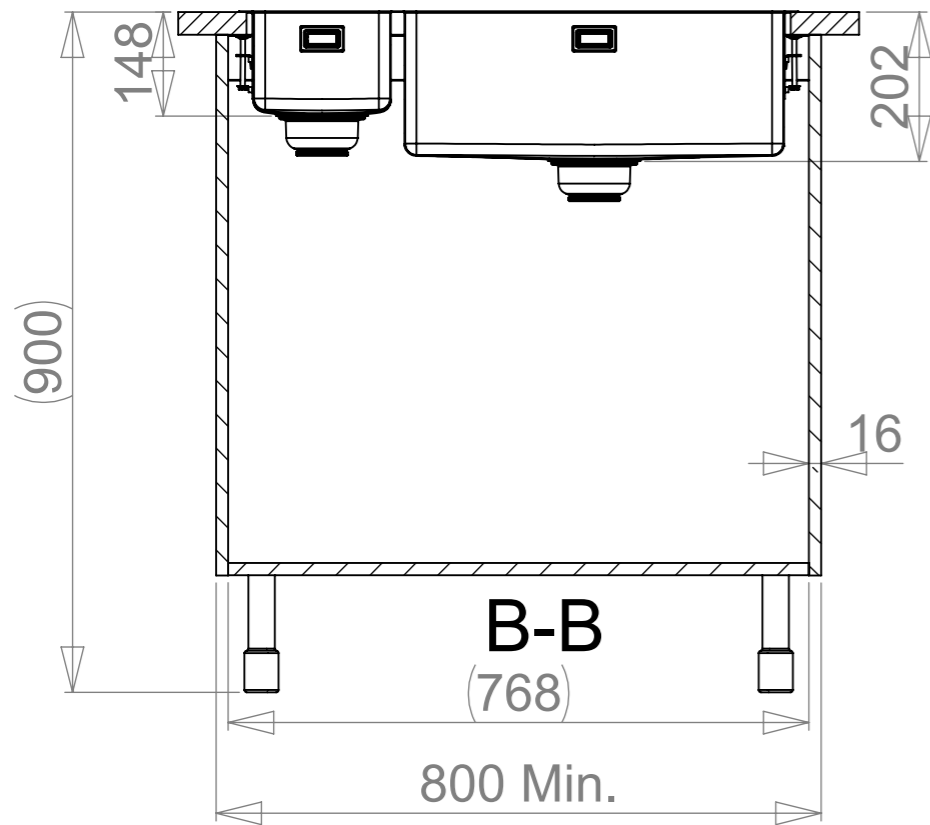


	Mass	0.96 kg	General tolerance	Designed by	Date
	Size	A3	Scale	VS	06.02.2019
 www.stala.com			Item	Approved by	Date
	Description		LAGOM-18-50	Drawing number	Sheet/sheets
	Technical Data Sheet		18194	2/6	Rev
				B	

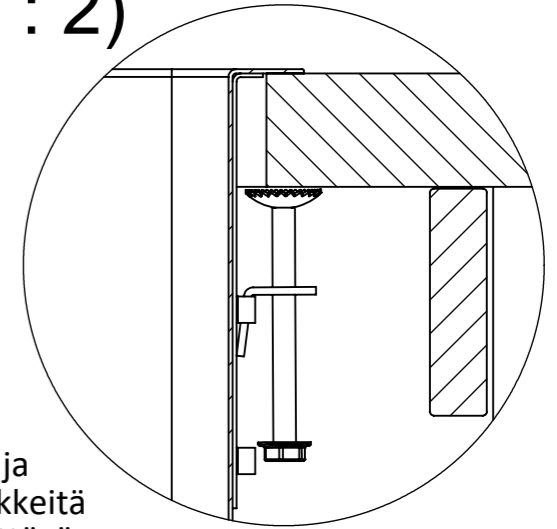
Change description  
 Depth of the small basin changed: 140 -> 150 mm

Date  
 02.01.2020  
 Designed by  
 VS

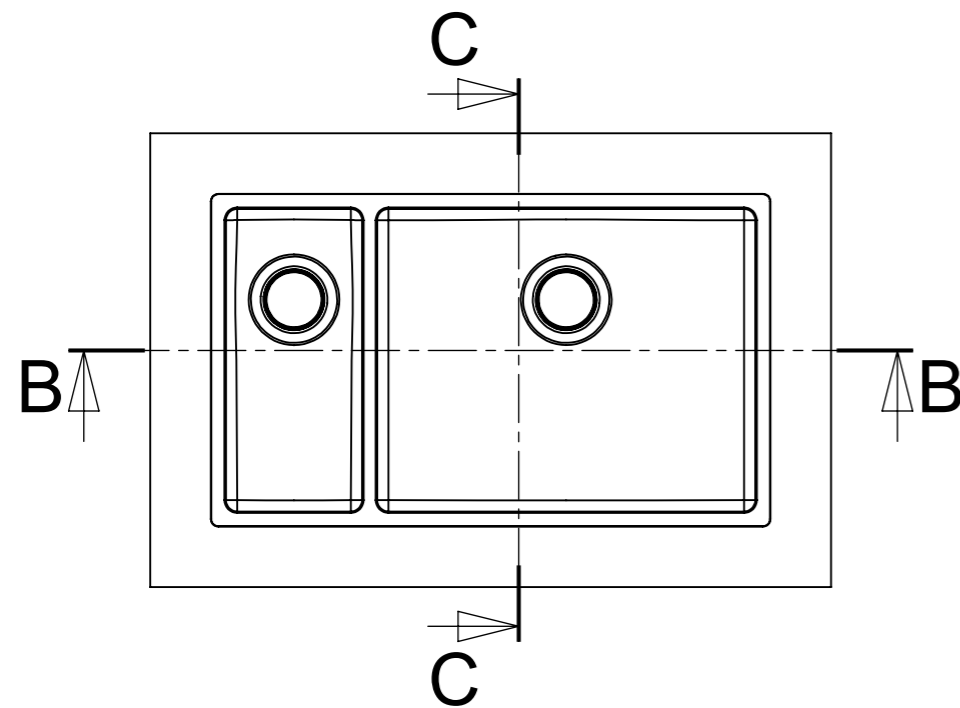
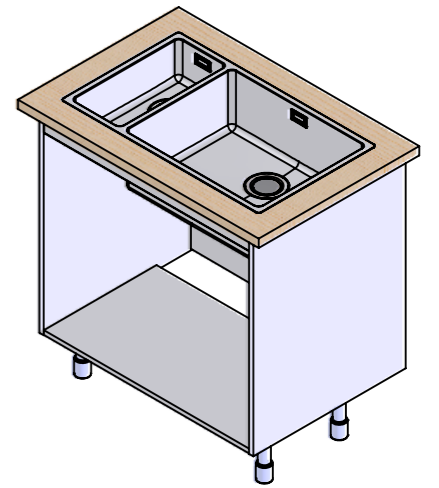
SPACE REQUIREMENTS


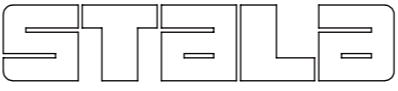


D (1 : 2)



Huom!  
 Tarvittaessa kaapin väliseinää ja etu/takalistaa lovetettava kiinnikkeitä varten ja pesuallas on kiinnitettävä ennen työtason asennusta.  
 Obs!  
 Vid behov måste en inskärning för hofästena göras i skåpets mellanvägg och förbindningslist och diskbänken måste fästas innan du monterar bänkskivan.  
 Notice!  
 The partition walls and front/back list of the cupboard must be notched for the sink mountings when needed and the sink must be fastened before installing the worktop.

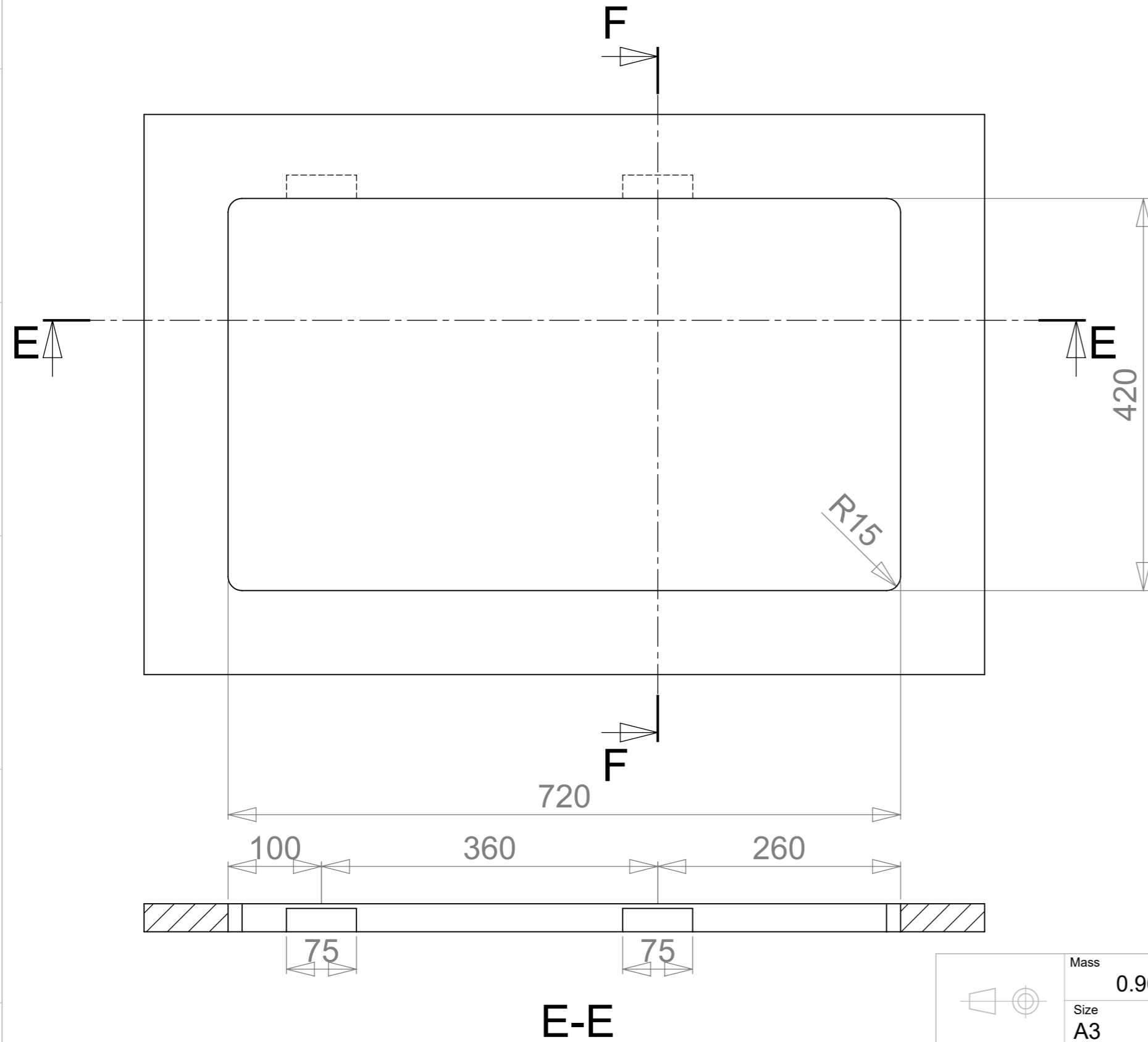


	Mass	0.96 kg	General tolerance	Designed by	VS	Date	06.02.2019
	Size	A3		Scale	1:10	Item	Approved by
 www.stala.com	Description			Drawing number	Sheet/sheets		
	LAGOM-18-50			18194			3/6
Technical Data Sheet				Rev		B	

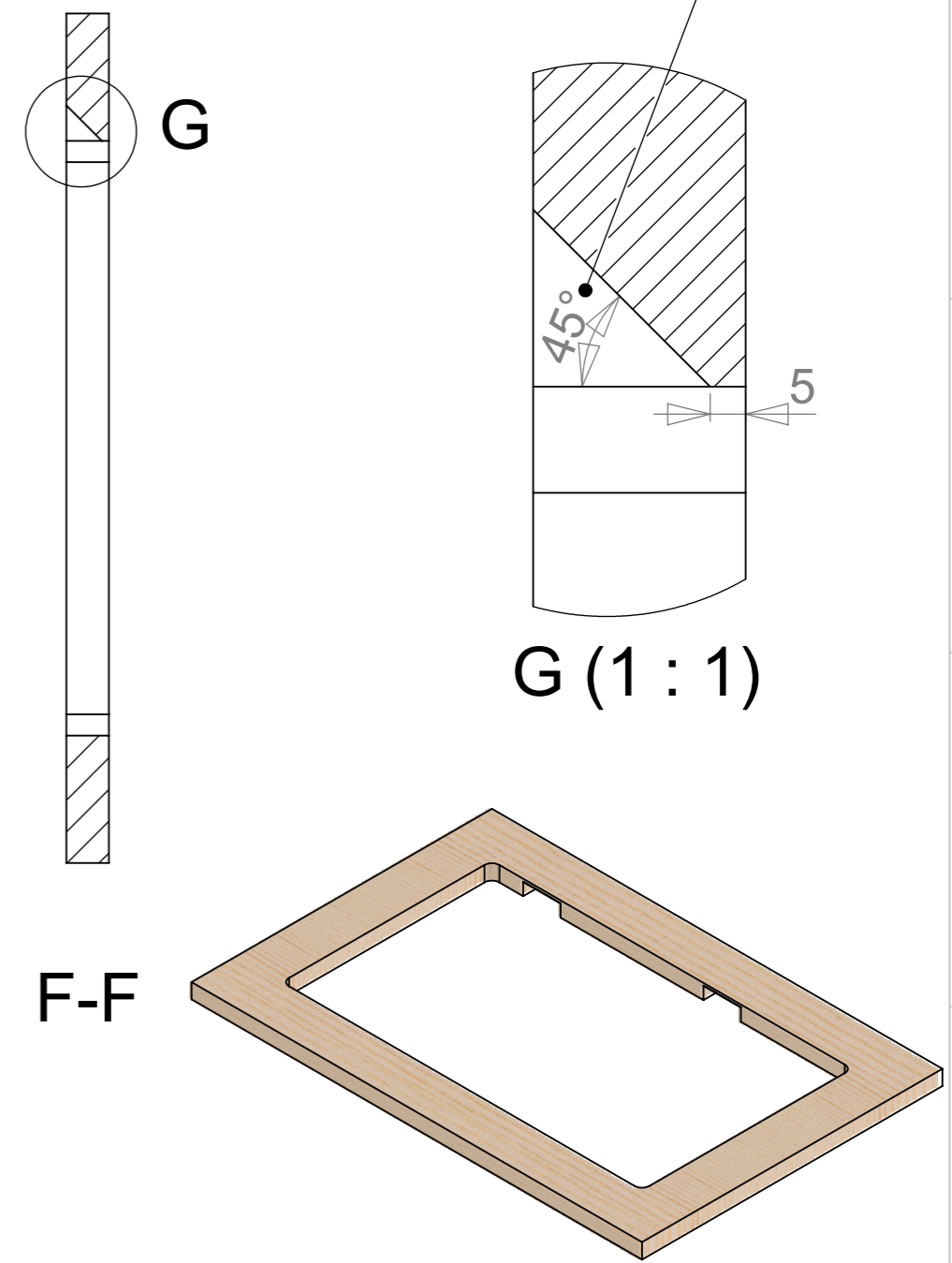
Change description  
 Depth of the small basin changed: 140 -> 150 mm

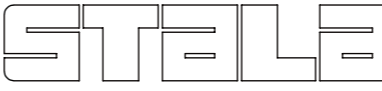
Date  
 02.01.2020  
 Designed by  
 VS

CUT-OUT



Cut-out for overflow



 www.stala.com	Mass <b>0.96 kg</b>	General tolerance IT12	Designed by VS	Date 06.02.2019
	Size A3	Scale 1:5	Item LAGOM-18-50	Approved by VS
Description LAGOM-18-50 Technical Data Sheet			Drawing number <b>18194</b>	Sheet/sheets 4/6
				Rev B

