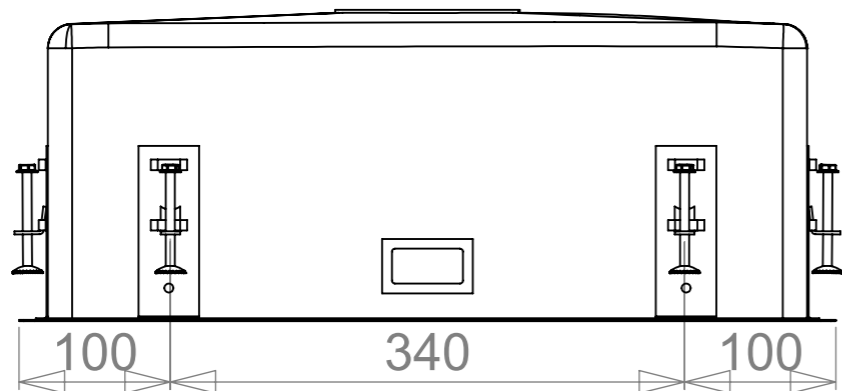
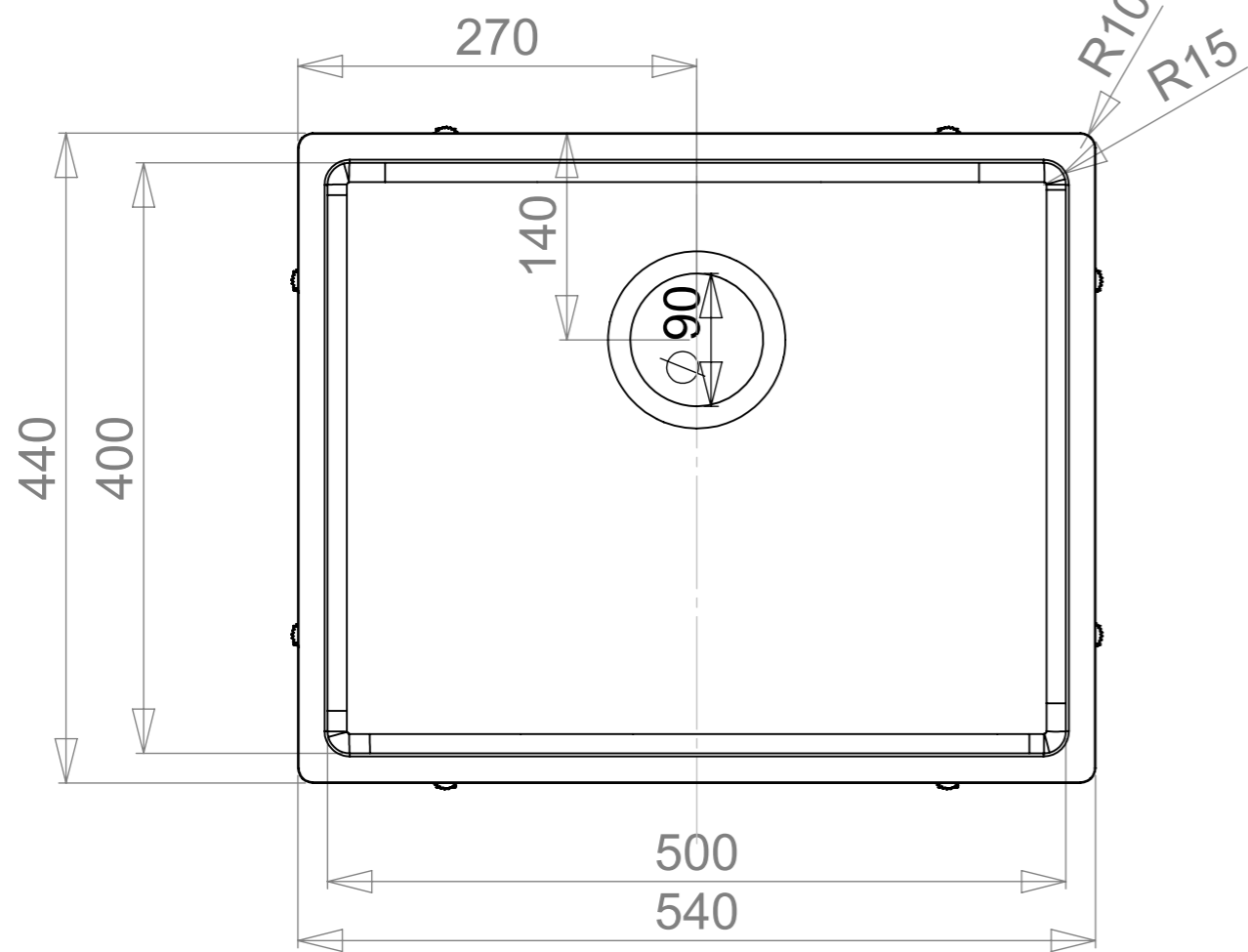
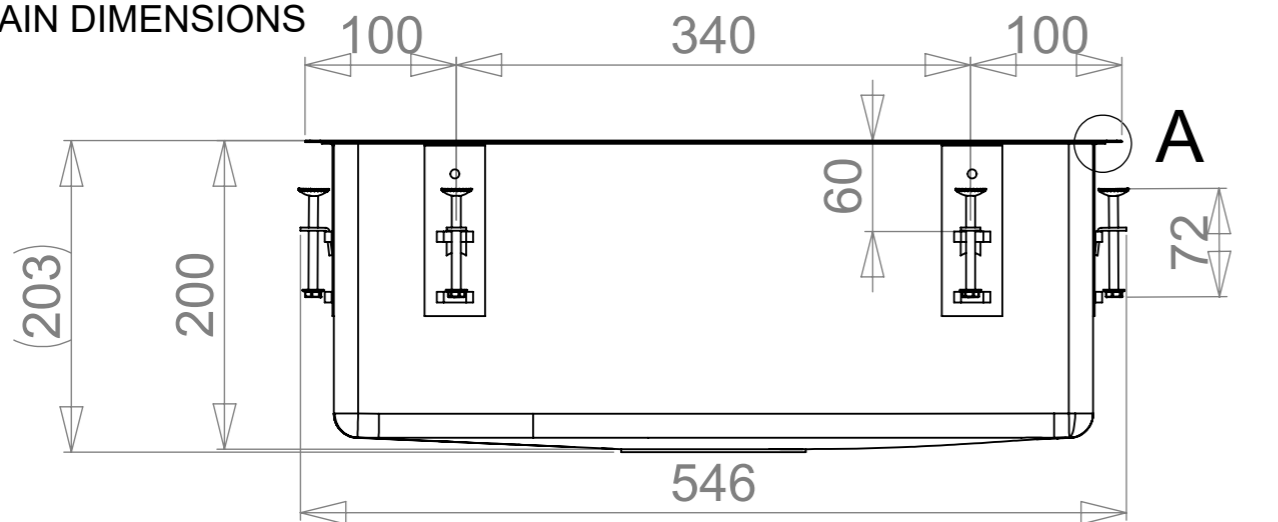


MAIN DIMENSIONS

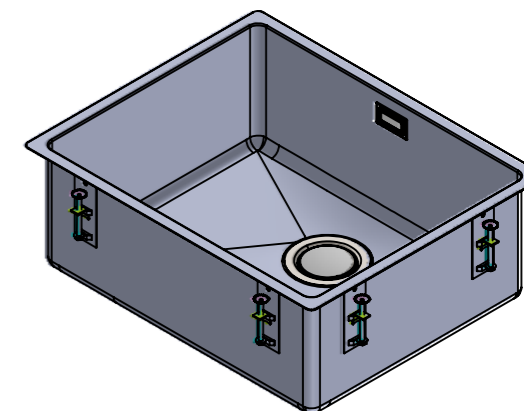
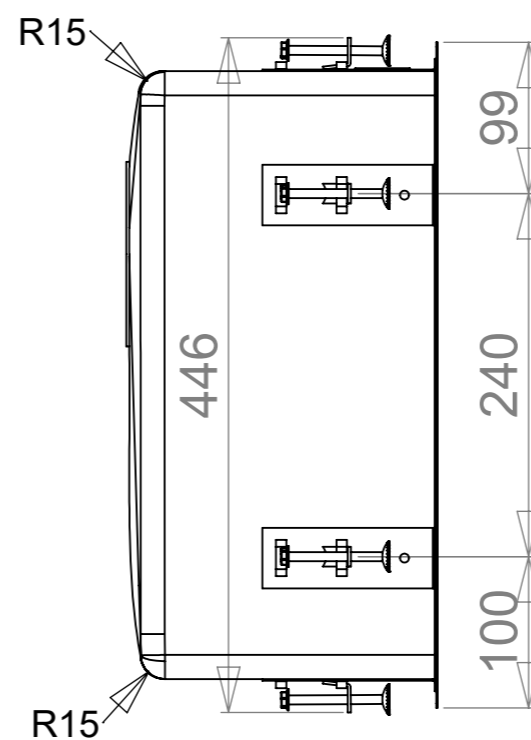
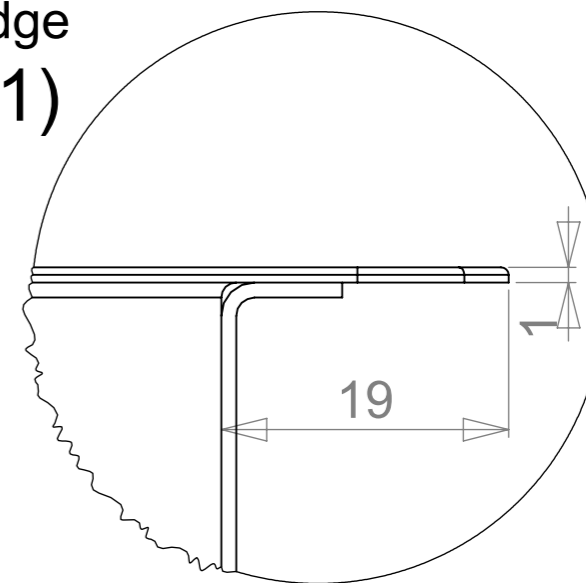


Change description

Date
18.09.2019

Designed by
VS

Mono edge
A (2 : 1)



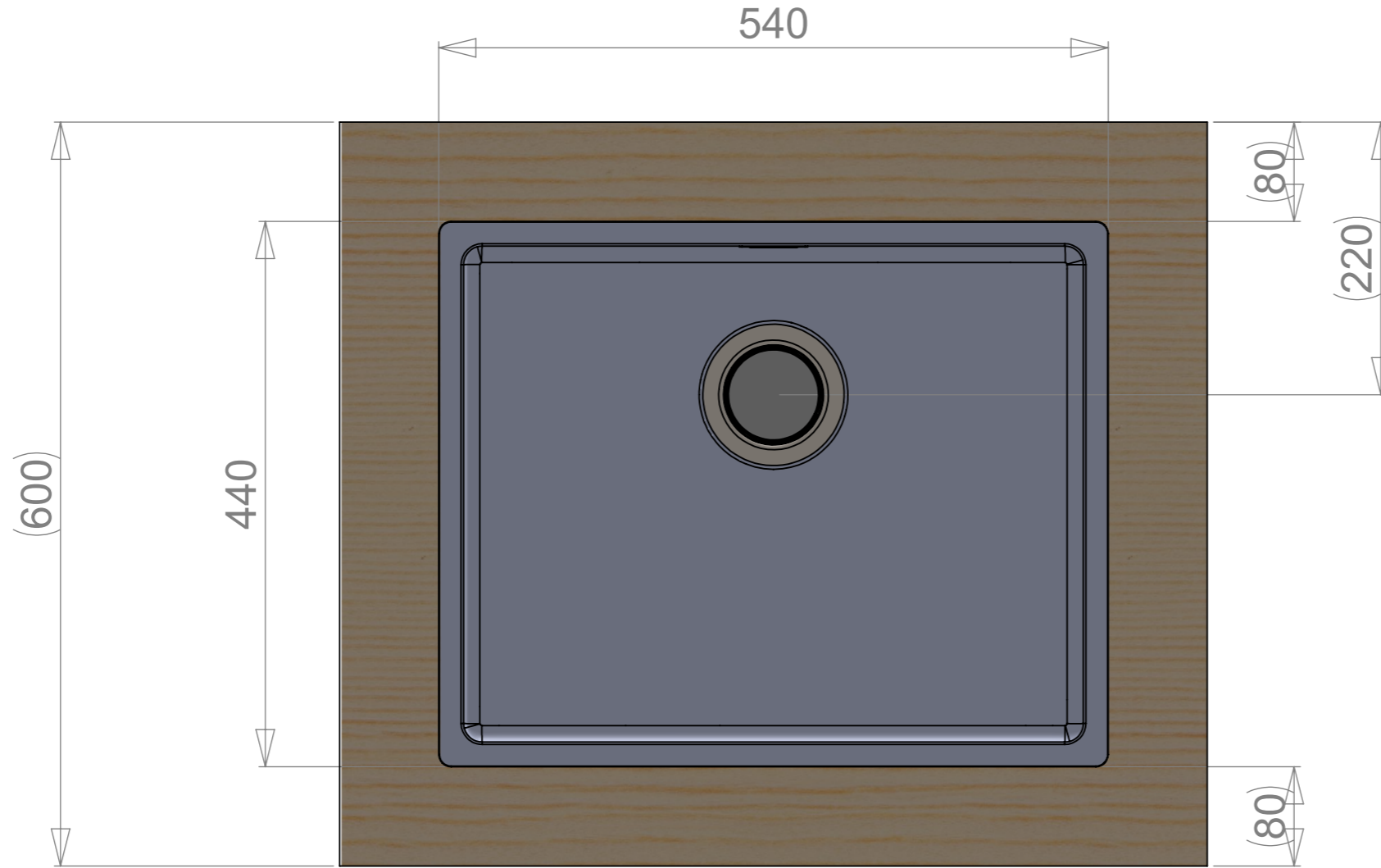
	Mass	General tolerance	Designed by	Date
	kg		VS	24.01.2019
 www.stala.com	Size	Item	Checked by	Date
	A3	1:5		
Description			Drawing number	Sheet/sheets
LAGOM-50			18160	1/6
Technical Data Sheet			Rev	A

WORKTOP ASSEMBLY

Change description

Date
18.09.2019

Designed by
VS



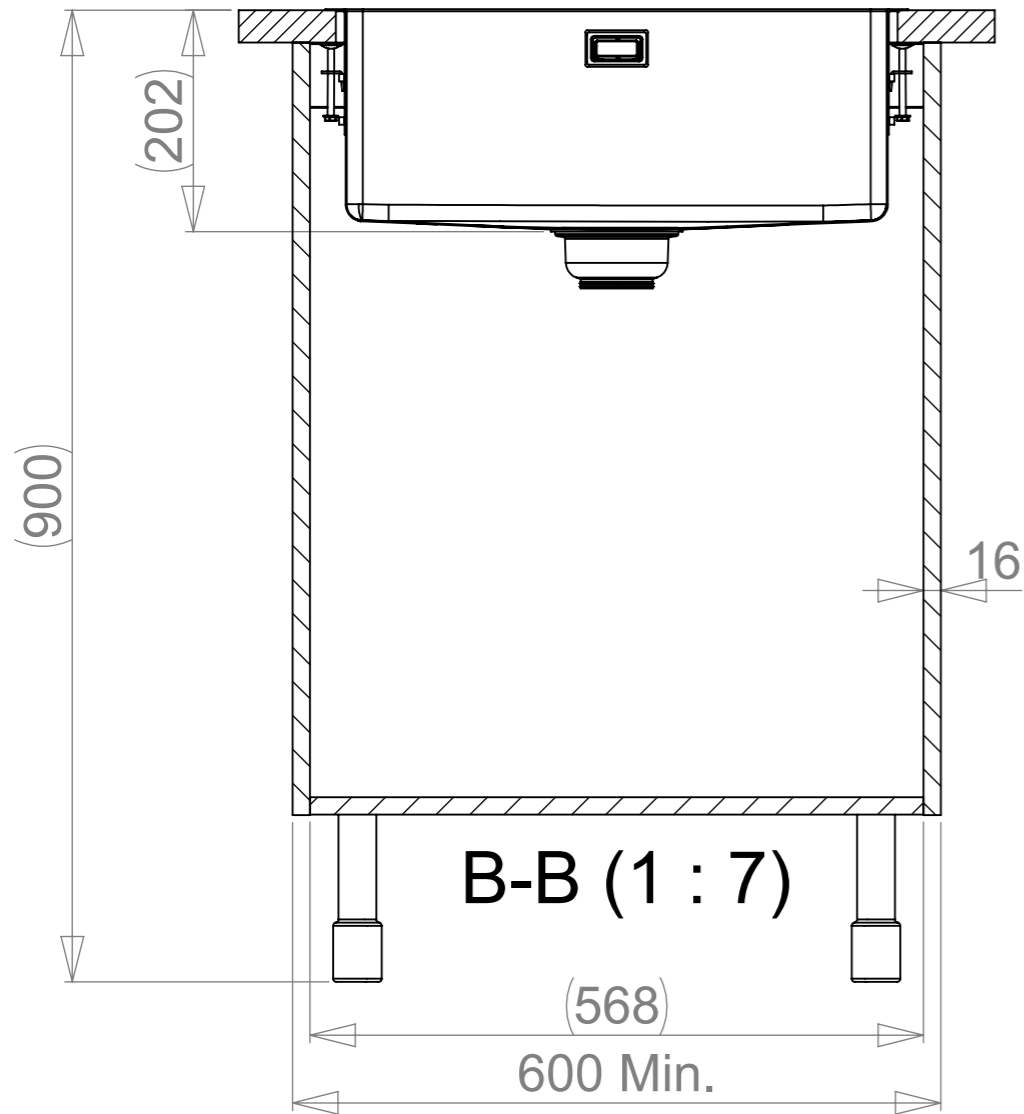
	Mass	General tolerance	Designed by	Date
	kg		VS	24.01.2019
	Size	Scale	Checked by	Date
	A3	1:5		
 www.stala.com	Description		Drawing number	Sheet/sheets
	LAGOM-50 Technical Data Sheet		18160	2/6
			Rev	A

SPACE REQUIREMENTS

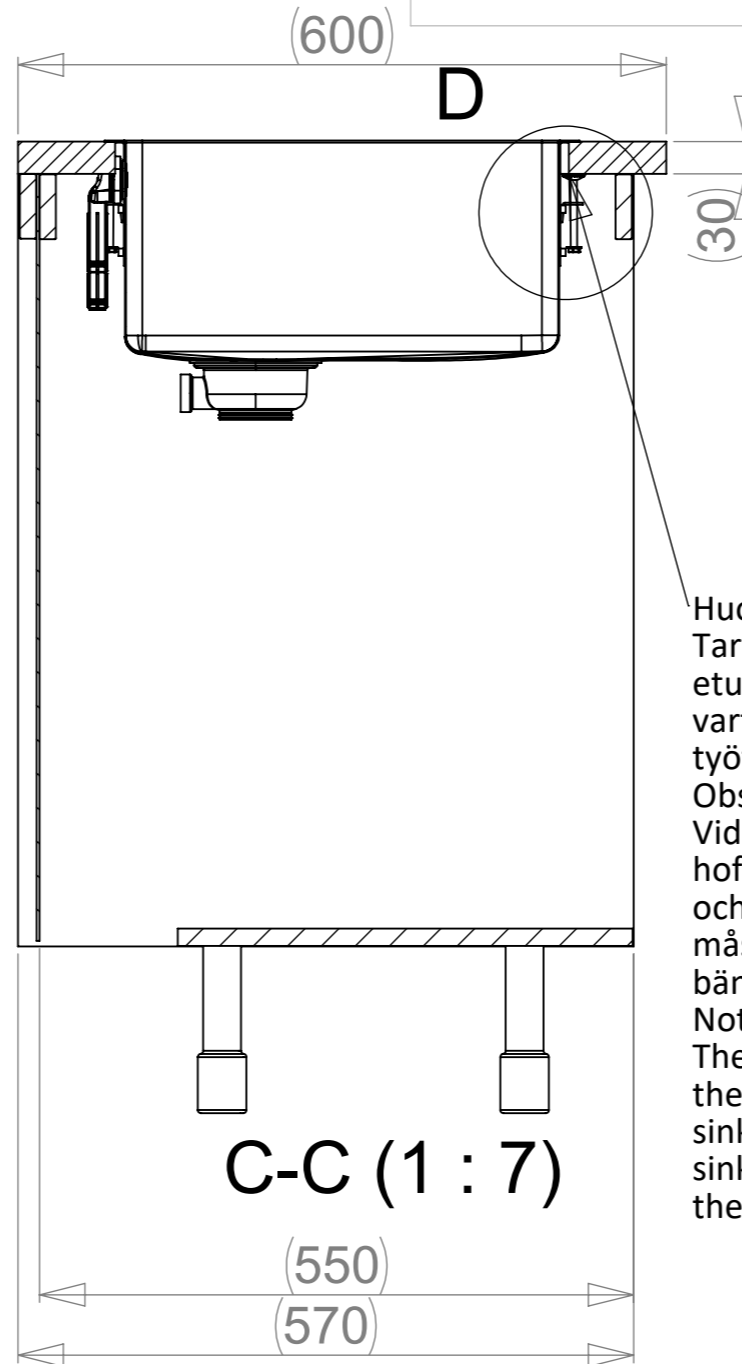
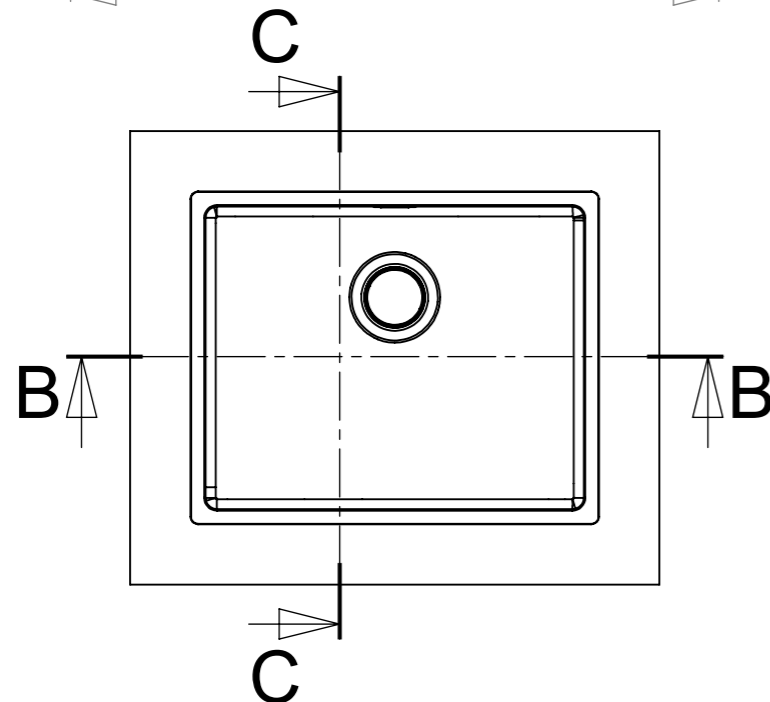
Change description

Date
18.09.2019

Designed by
VS

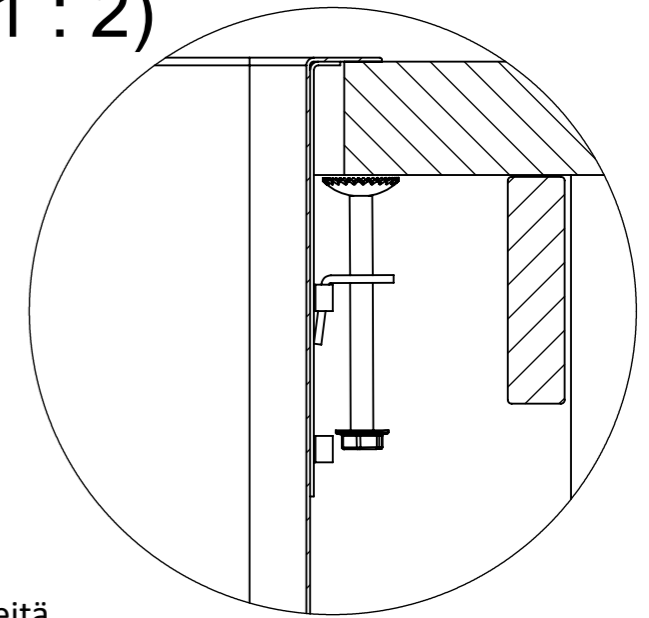


B-B (1 : 7)

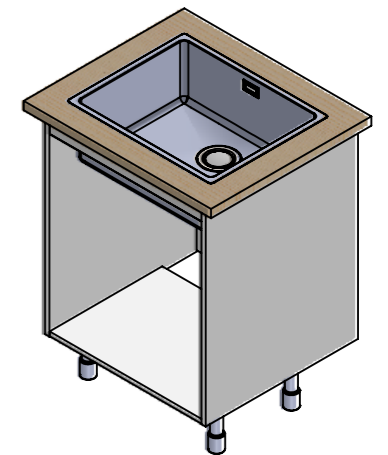


C-C (1 : 7)

D (1 : 2)



Huom!
Tarvittaessa kaapin väliseinää ja etu/takalistaa lovetettava kiinnikkeitä varten ja pesuallas on kiinnitettävä ennen työtason asennusta.
Obs!
Vid behov måste en inskärning för hofästena göras i skåpets mellanvägg och förbindningslist och diskbänken måste fästas innan du monterar bänkskivan.
Notice!
The partition walls and front/back list of the cupboard must be notched for the sink mountings when needed and the sink must be fastened before installing the worktop.



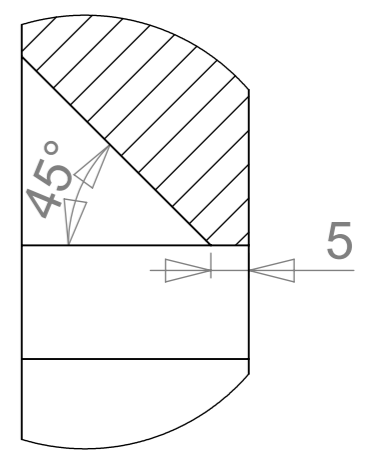
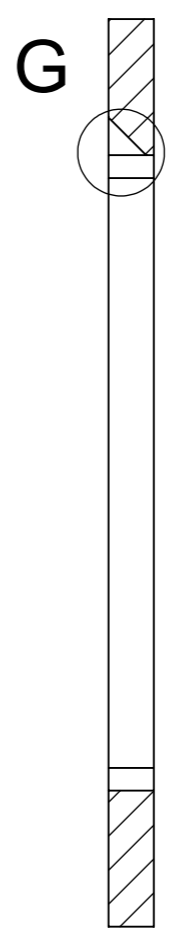
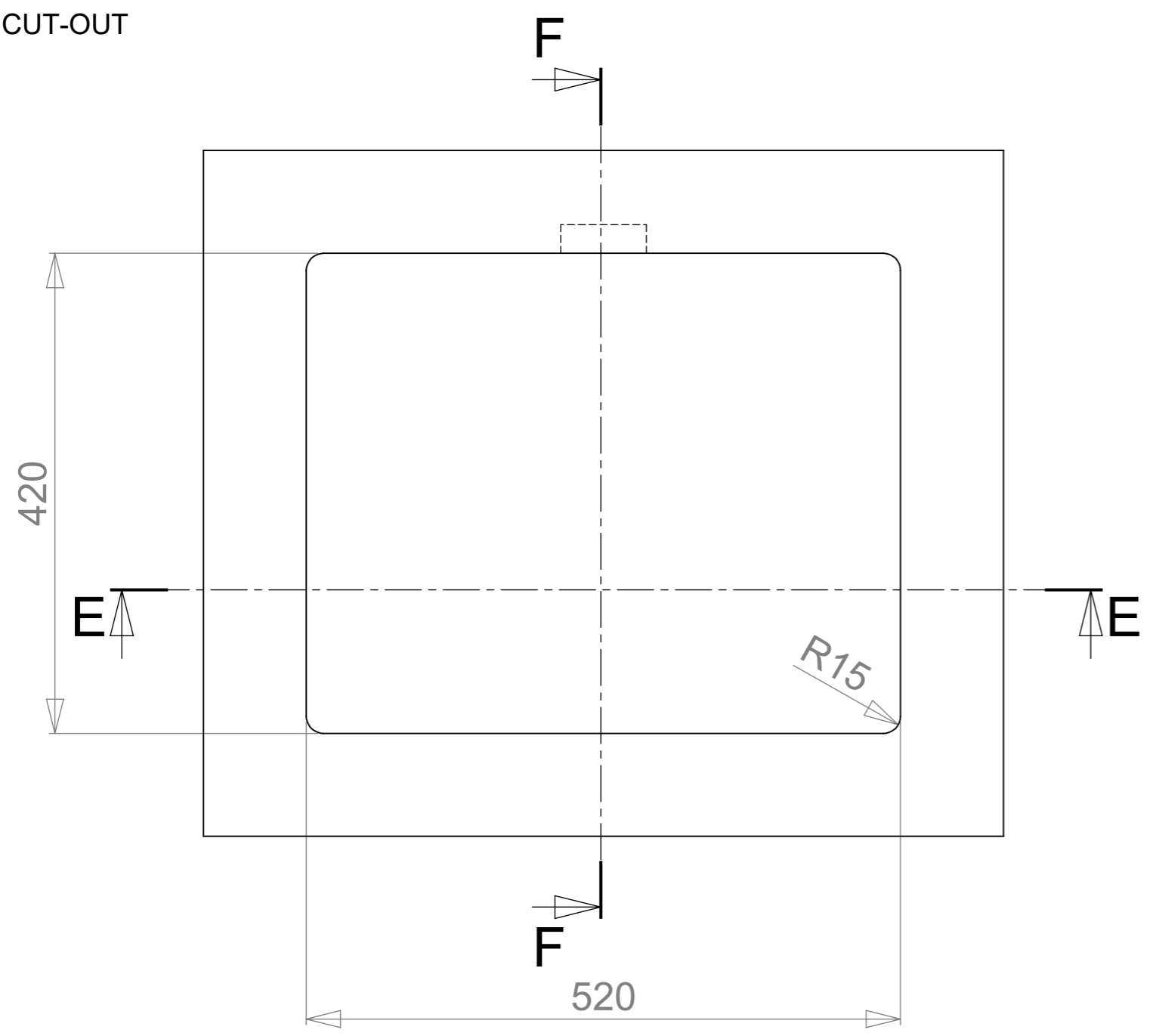
	Mass	General tolerance	Designed by	Date
	kg		VS	24.01.2019
 www.stala.com	Size	Item	Checked by	Date
	A3	1:10		
Description			Drawing number	Sheet/sheets
LAGOM-50			18160	3/6
Technical Data Sheet			Rev	A

Change description

Date
18.09.2019

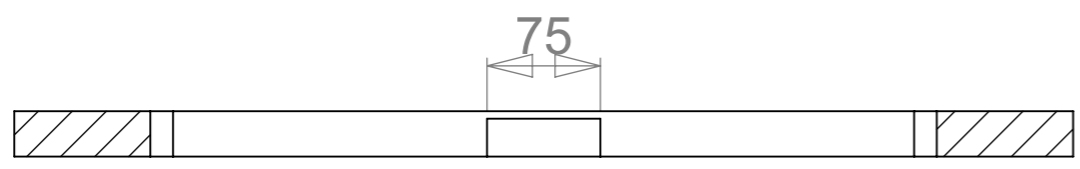
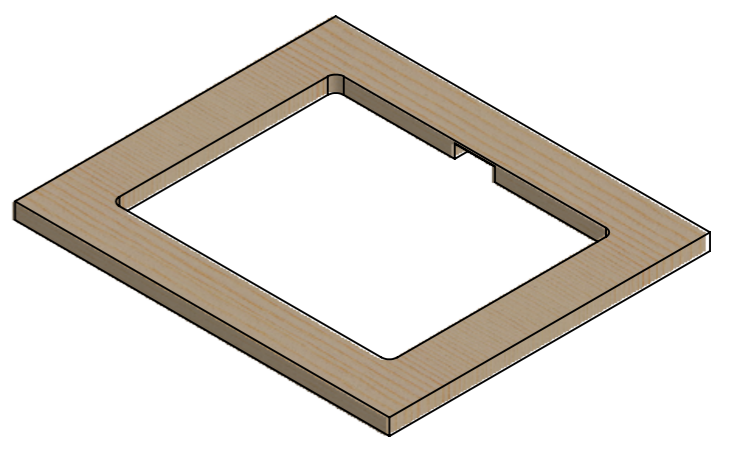
Designed by
VS

CUT-OUT




G (1 : 1)

F-F



E-E

 www.stala.com	Mass	kg	General tolerance	Designed by	Date
	Size	Scale	Item	VS	24.01.2019
LAGOM-50 Technical Data Sheet	A3	1:5		Checked by	Date
				Drawing number	Sheet/sheets
				18160	4/6
				Rev	A

