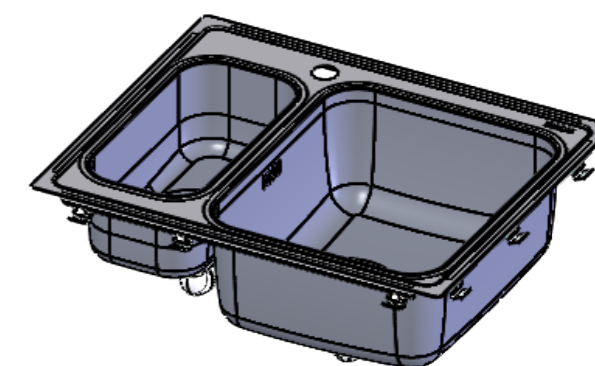
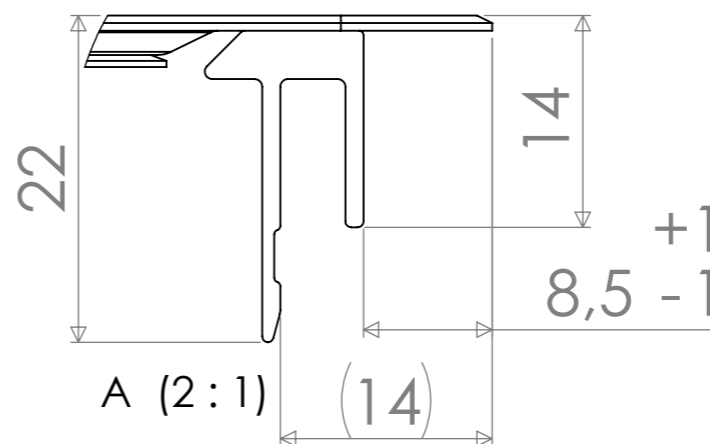
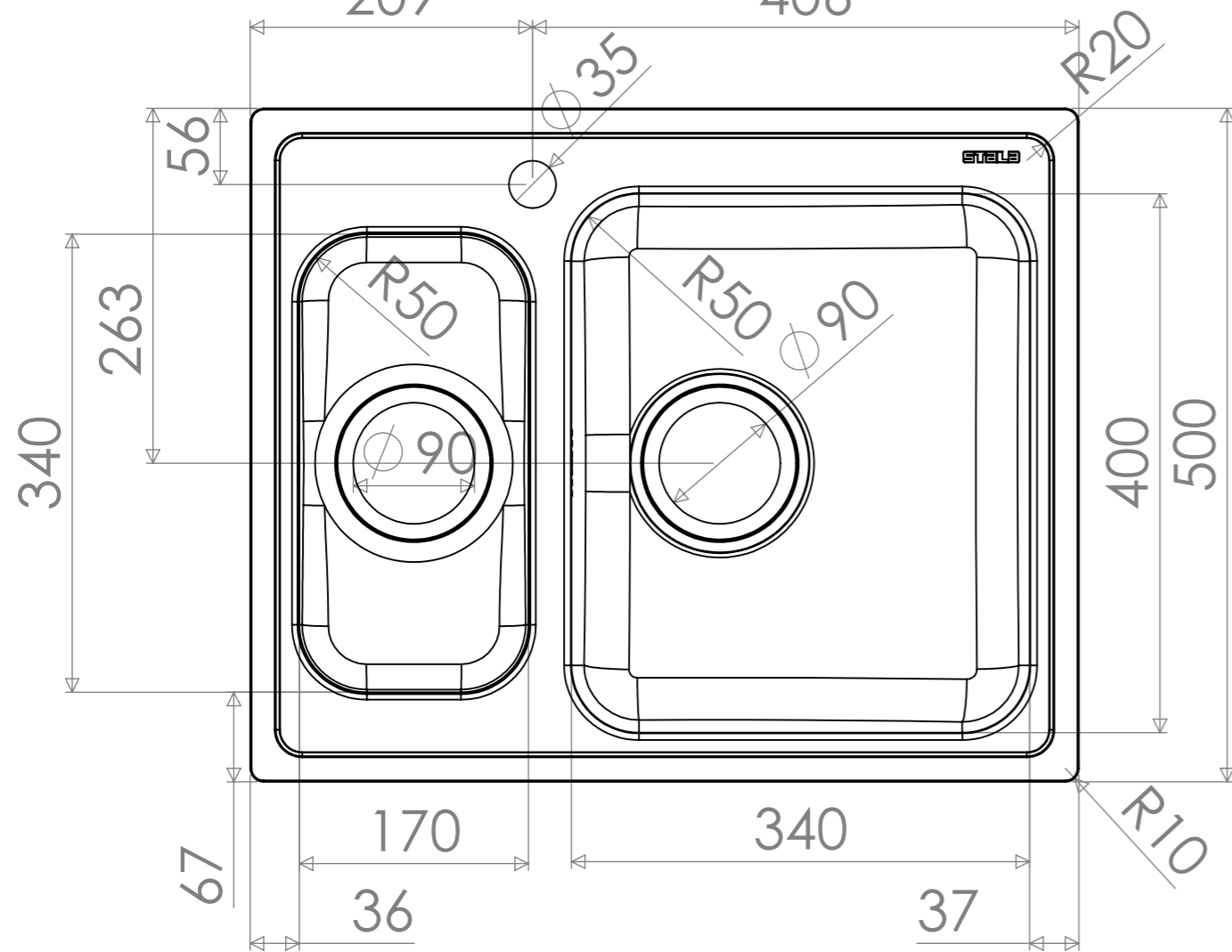
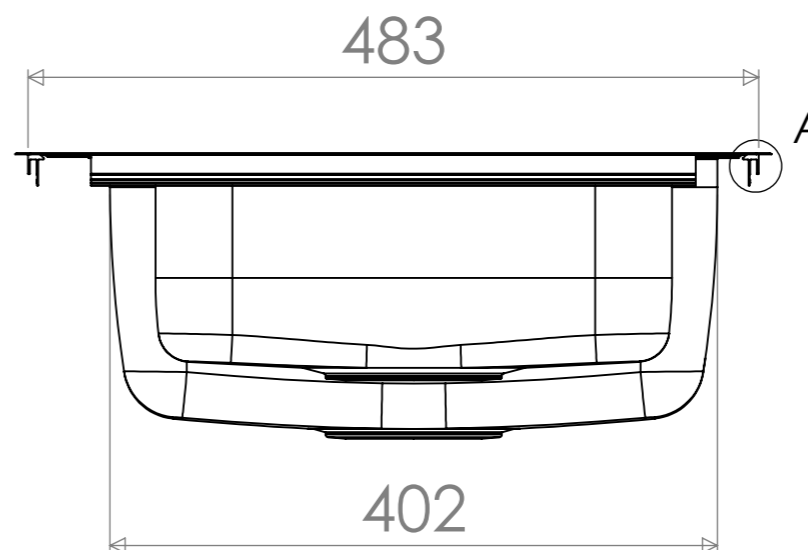
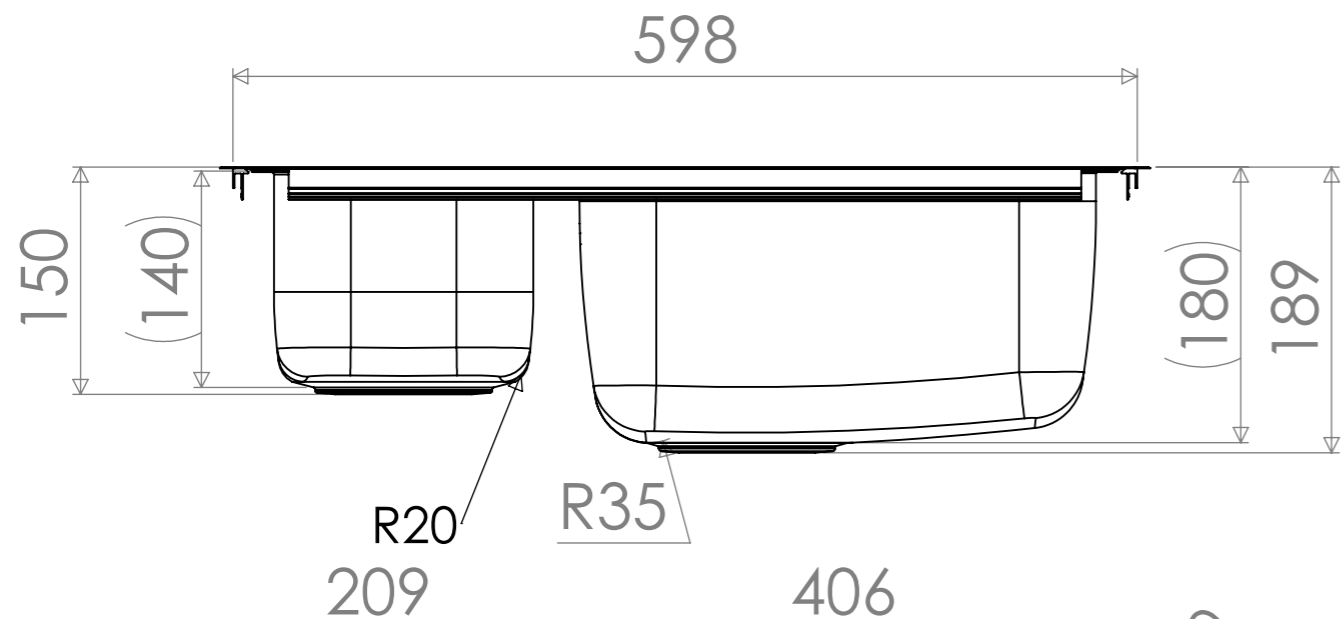


MAIN DIMENSIONS

Change description

Date
08.06.2020

Designed by
VS



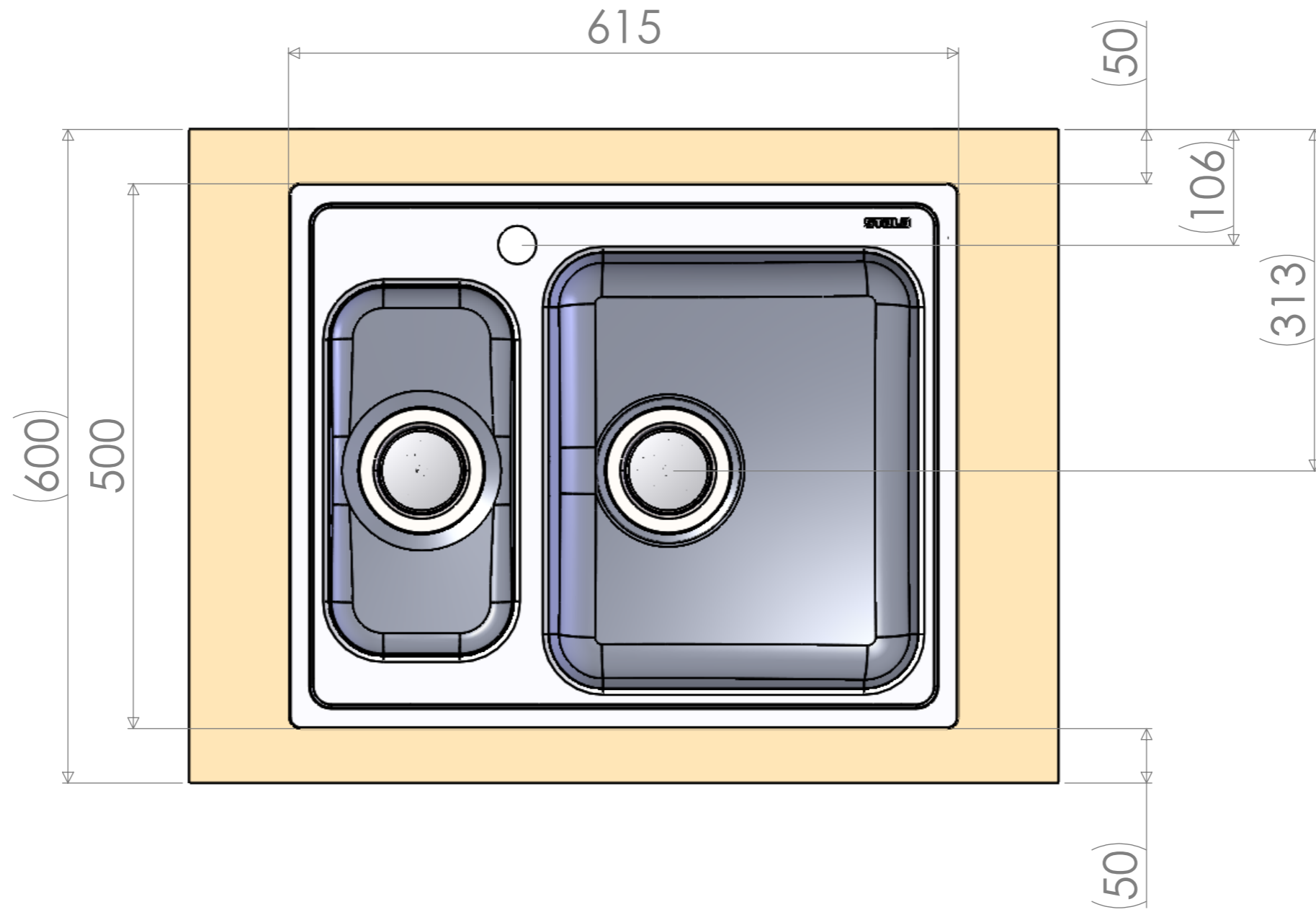
	Mass 27.29 kg	General tolerance	Designed by JP	Date 30.10.2012
	Size A3		Scale 1:5	Approved by
 www.stala.com	Description PF-40-17R		Drawing number 14133	Sheet/sheets 1/6
	Technical Data Sheet			Rev B

WORKTOP ASSEMBLY VIEW

Change description

Date
08.06.2020

Designed by
VS

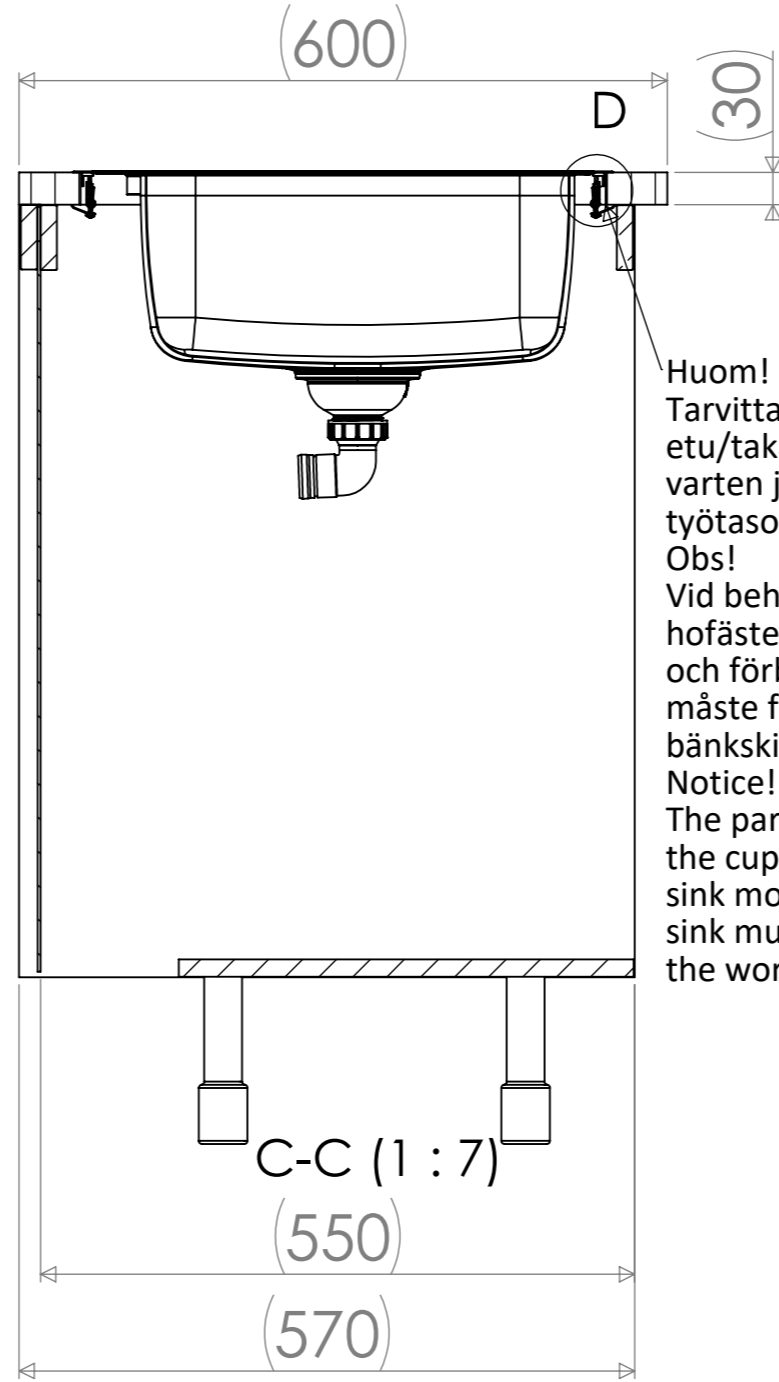
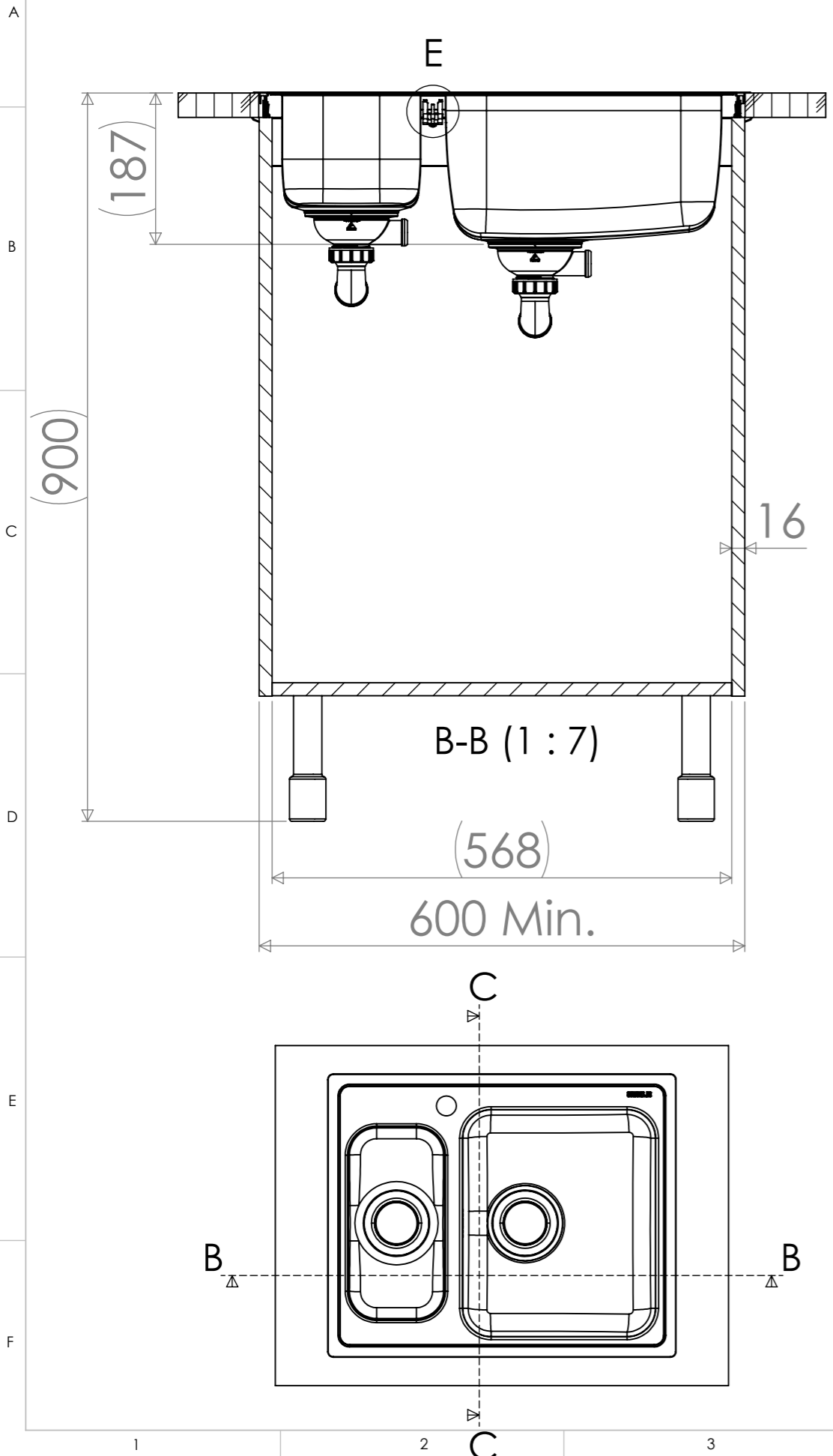


	Mass	27.29 kg	General tolerance	Designed by	Date
	Size	A3	Scale	1:5	Item
 www.stala.com	Description		PF-40-17R	Approved by	Date
	Technical Data Sheet		Drawing number	14133	Sheet/sheets
			Rev	B	2/6

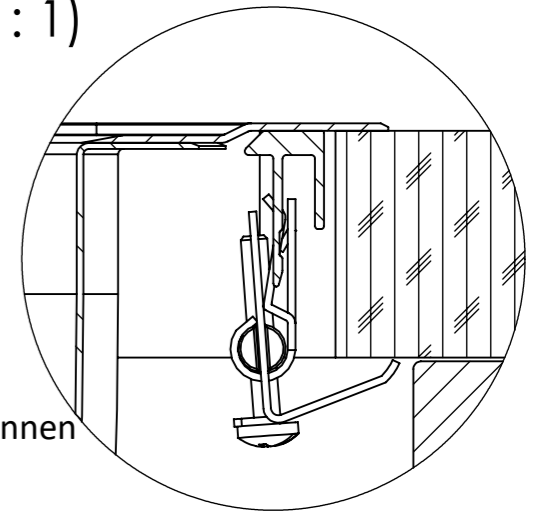
SPACE REQUIREMENTS

Change description

Date 08.06.2020
Designed by VS

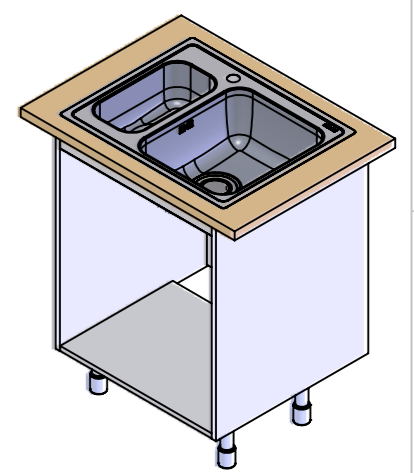
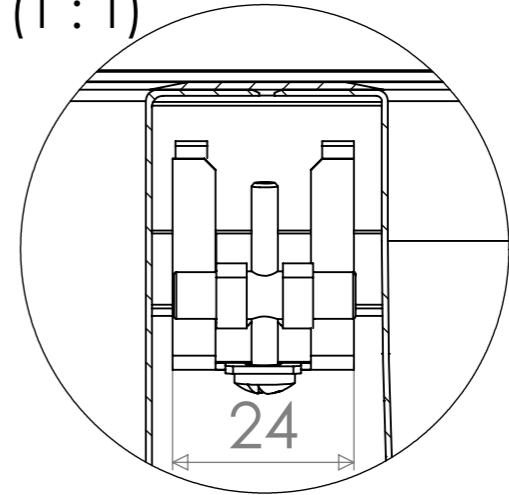


D (1 : 1)



Huom!
Tarvittaessa kaapin väliseinää ja etu/takalista lovettava kiinnikkeitä varten ja pesuallas on kiinnitettävä ennen työtason asennusta.
Obs!
Vid behov måste en inskärning för hofästena göras i skåpets mellanvägg och förbindningslist och diskbänken måste fästas innan du monterar bänkskivan.
Notice!
The partition walls and front/back list of the cupboard must be notched for the sink mountings when needed and the sink must be fastened before installing the worktop.

E (1 : 1)



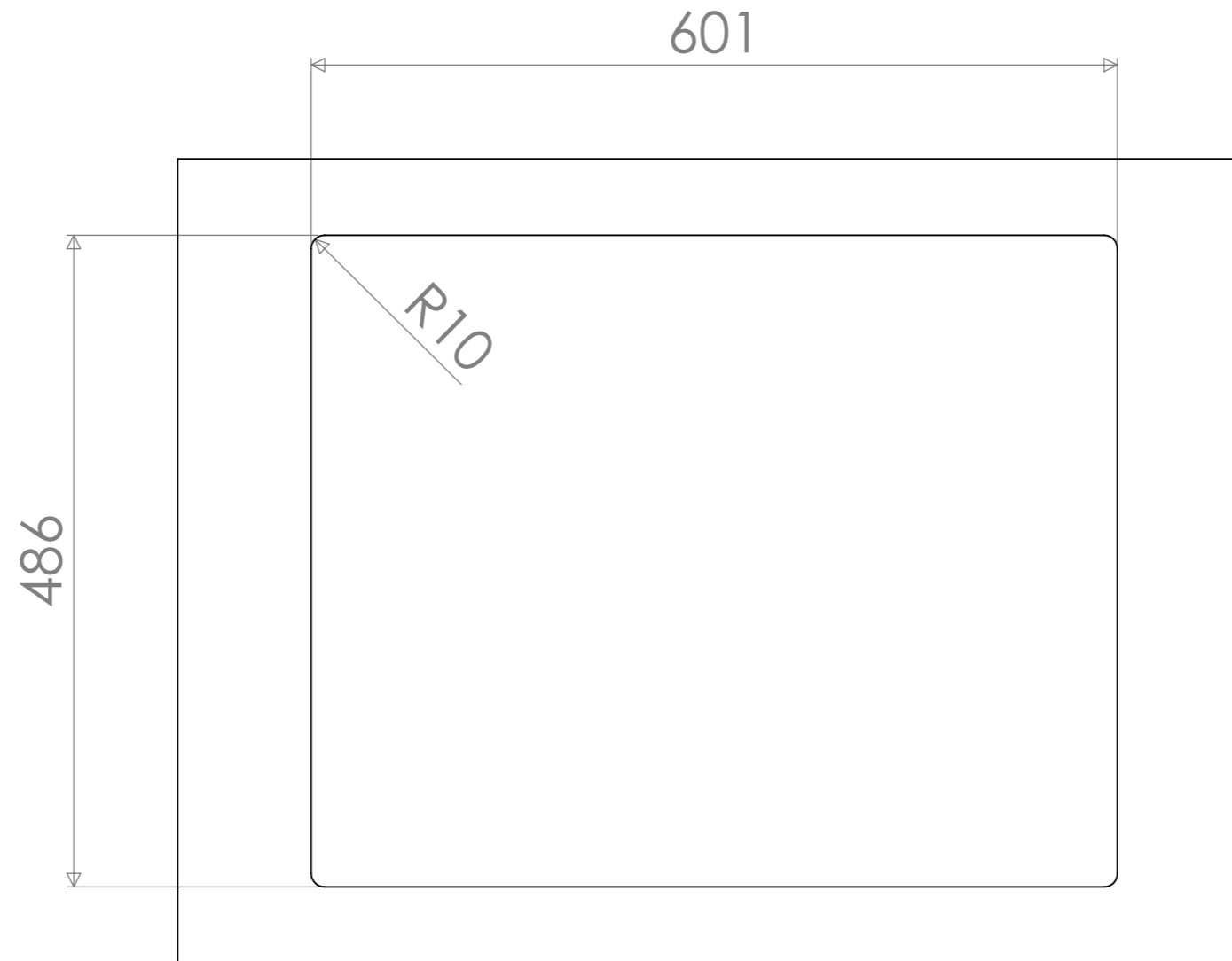
 www.stala.com	Mass 27.29 kg	General tolerance Item	Designed by JP	Date 30.10.2012
	Size A3		Scale 1:10	Approved by
Description PF-40-17R Technical Data Sheet			Drawing number 14133	Sheet/sheets 3/6
			Rev B	

CUT-OUT FOR BUILT-ON

Change description

Date
08.06.2020

Designed by
VS



	Mass	27.29 kg	General tolerance	Designed by	Date	
	Size	A3	Scale	1:5	Item	JP
	Description		PF-40-17R	Approved by	Date	
	www.stala.com		Technical Data Sheet	Drawing number	14133	Sheet/sheets
					Rev	B

STALB

