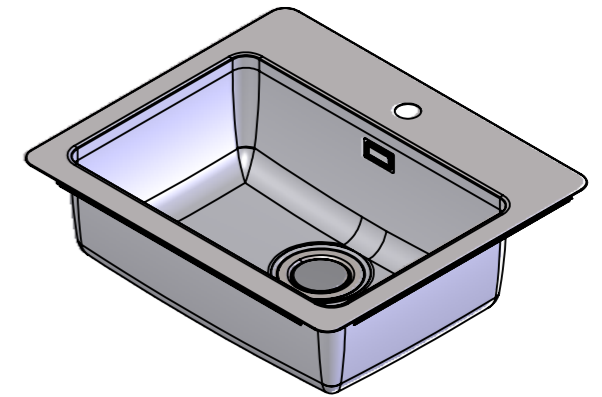
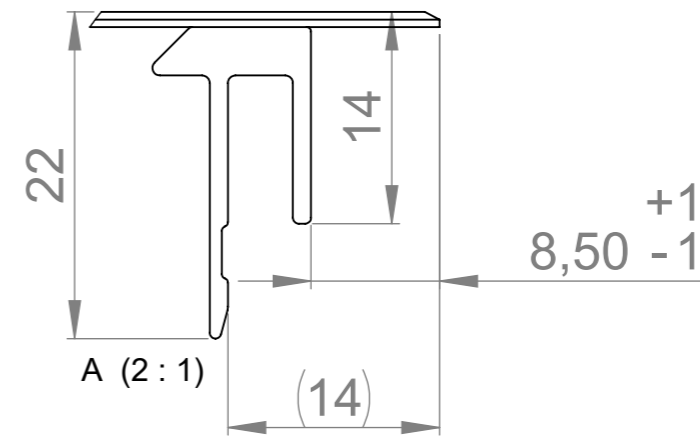
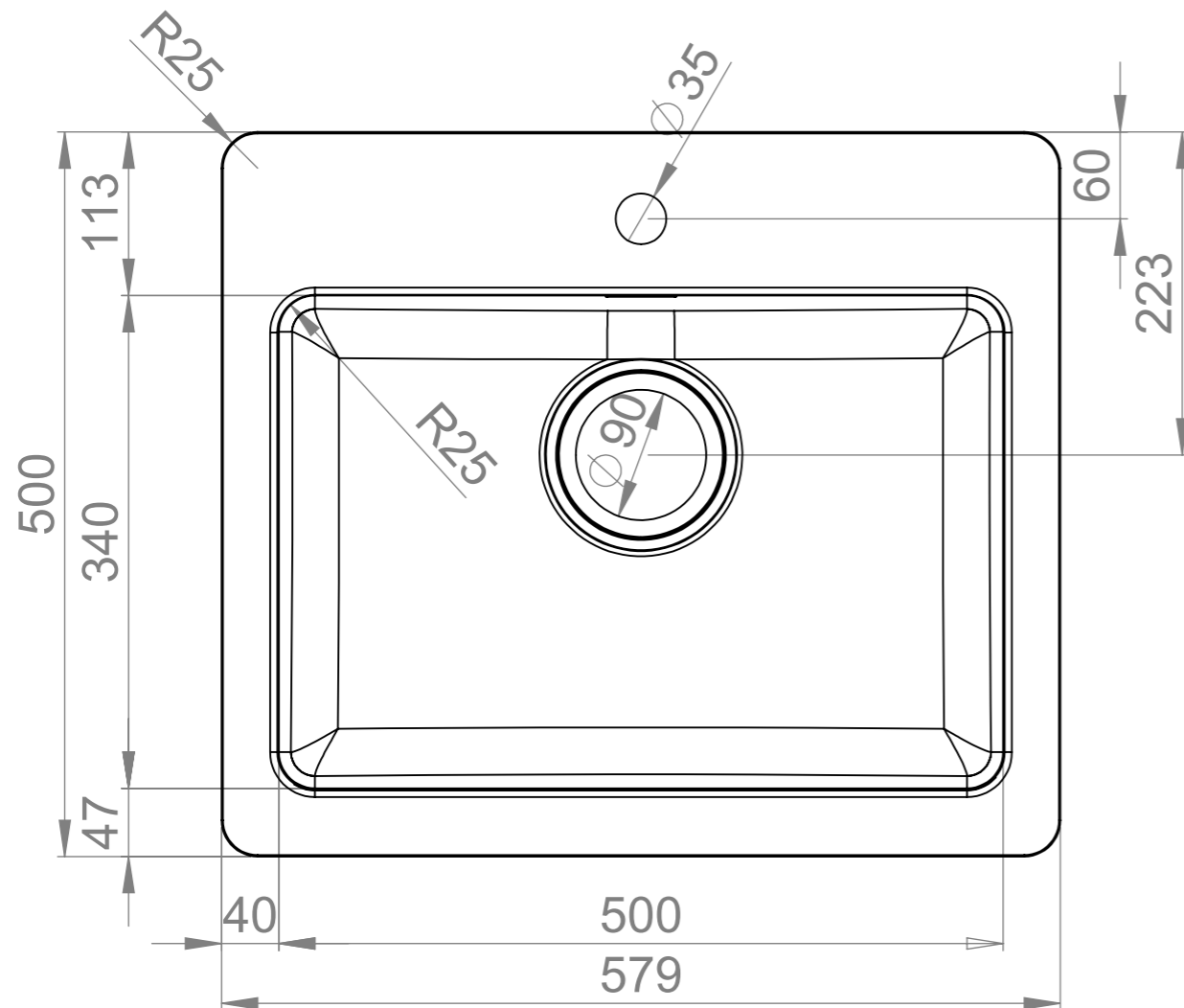
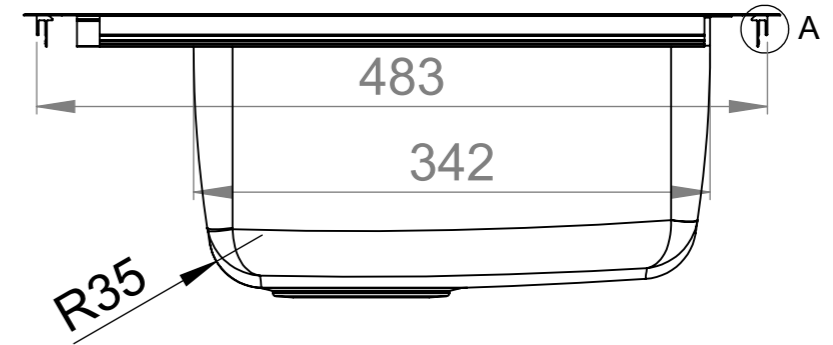
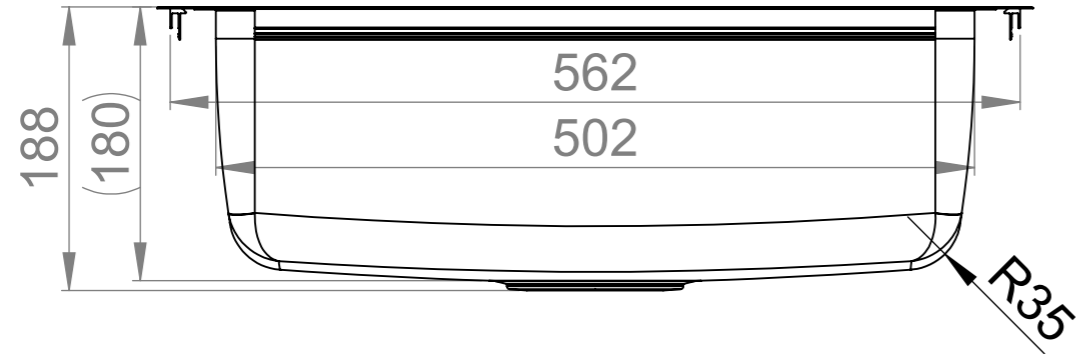
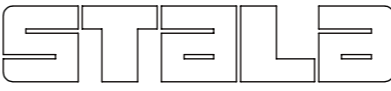


MAIN DIMENSIONS

Change description
Placement of taphole changed

Date
09.04.2021
Designed by
VS

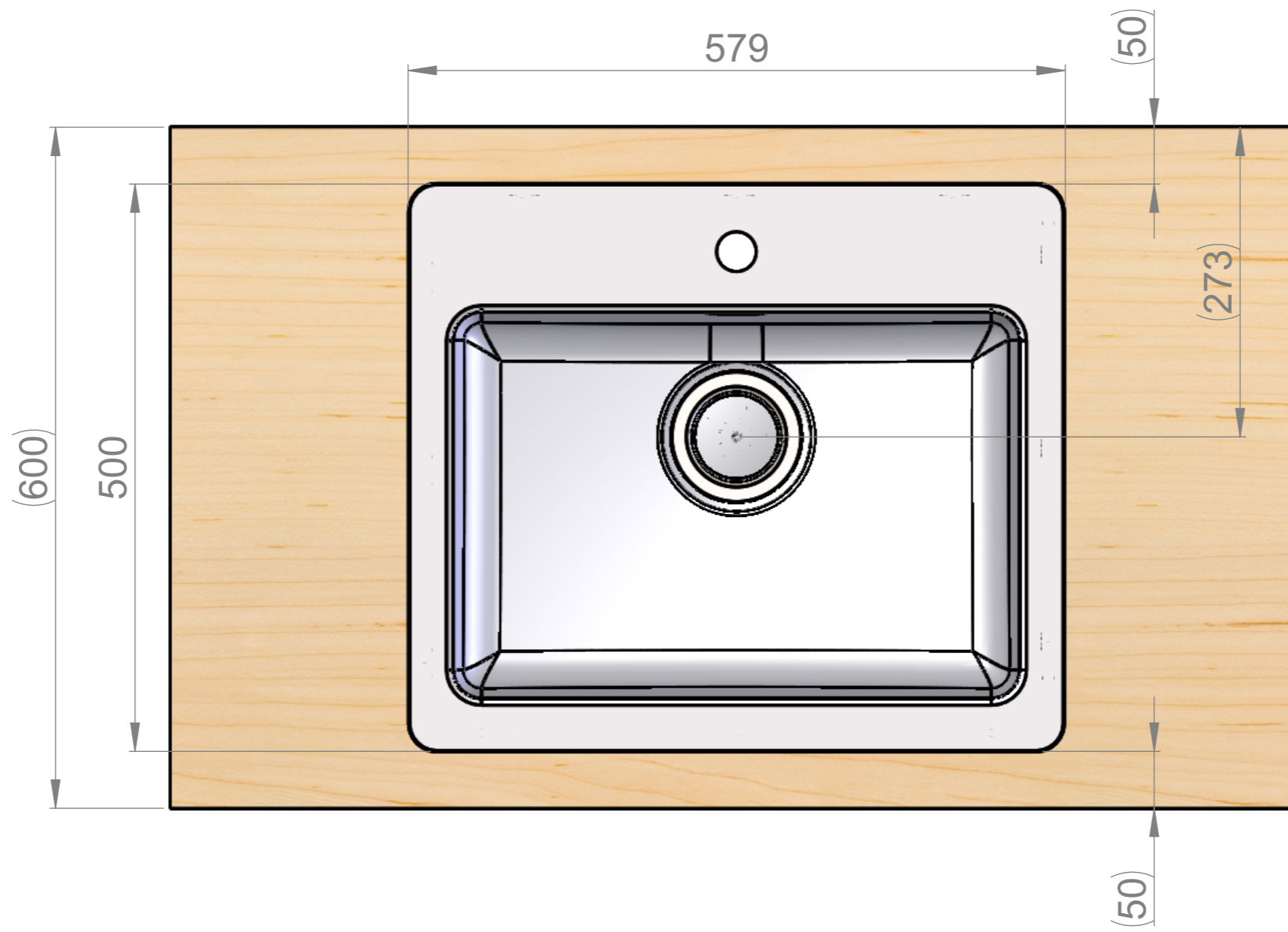


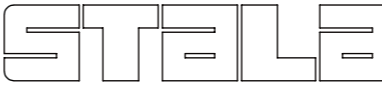
 www.stala.com	General tolerance ISO-2768-m	Designed by TN	Date 14.02.2013
	Size A3	Scale 1:5	Item CES50
Description N50-58 Technical Data Sheet	Drawing number 14090	Sheet/sheets 1/6	Rev D

WORKTOP ASSEMBLY

Change description
Placement of taphole changed

Date
09.04.2021
Designed by
VS

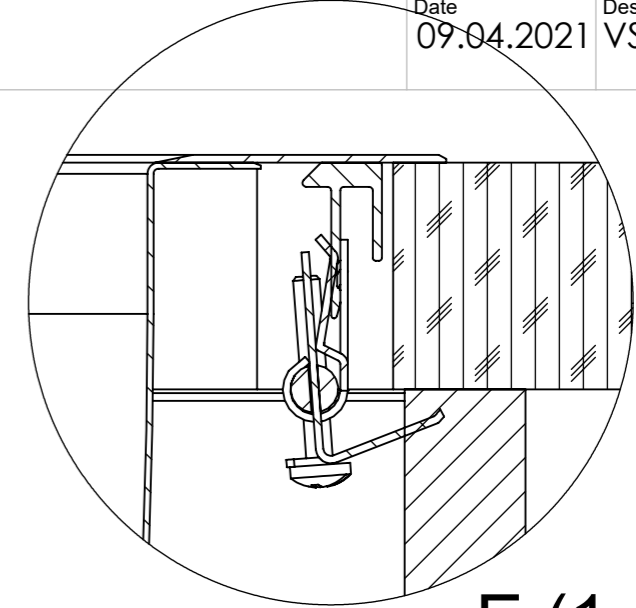
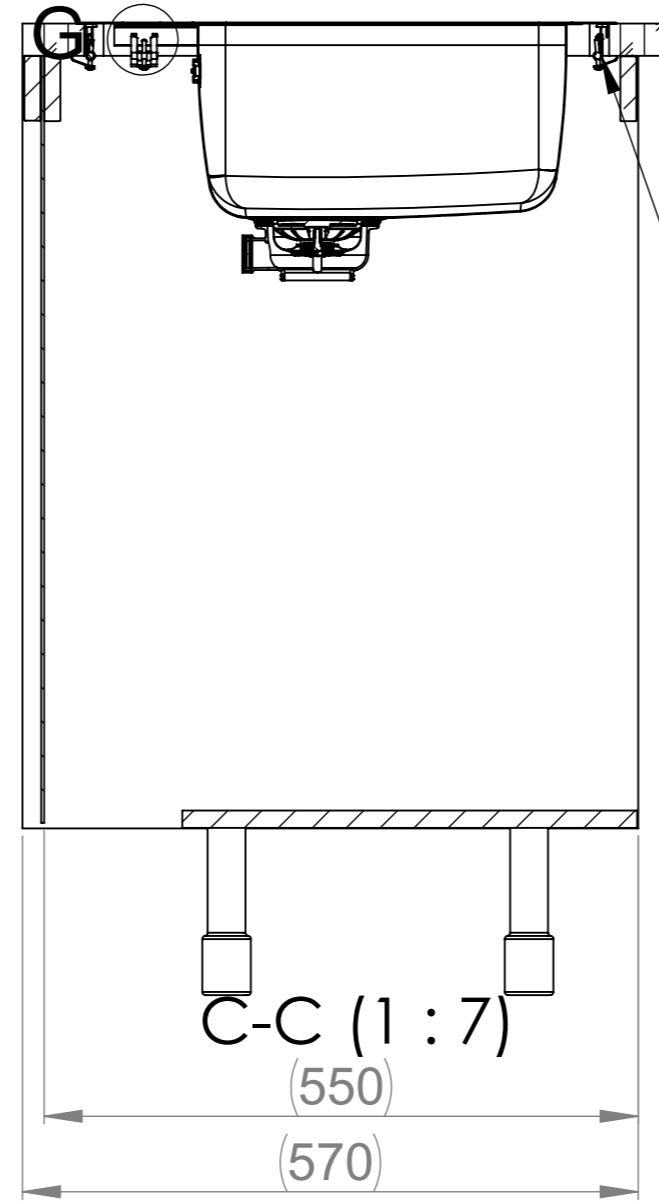
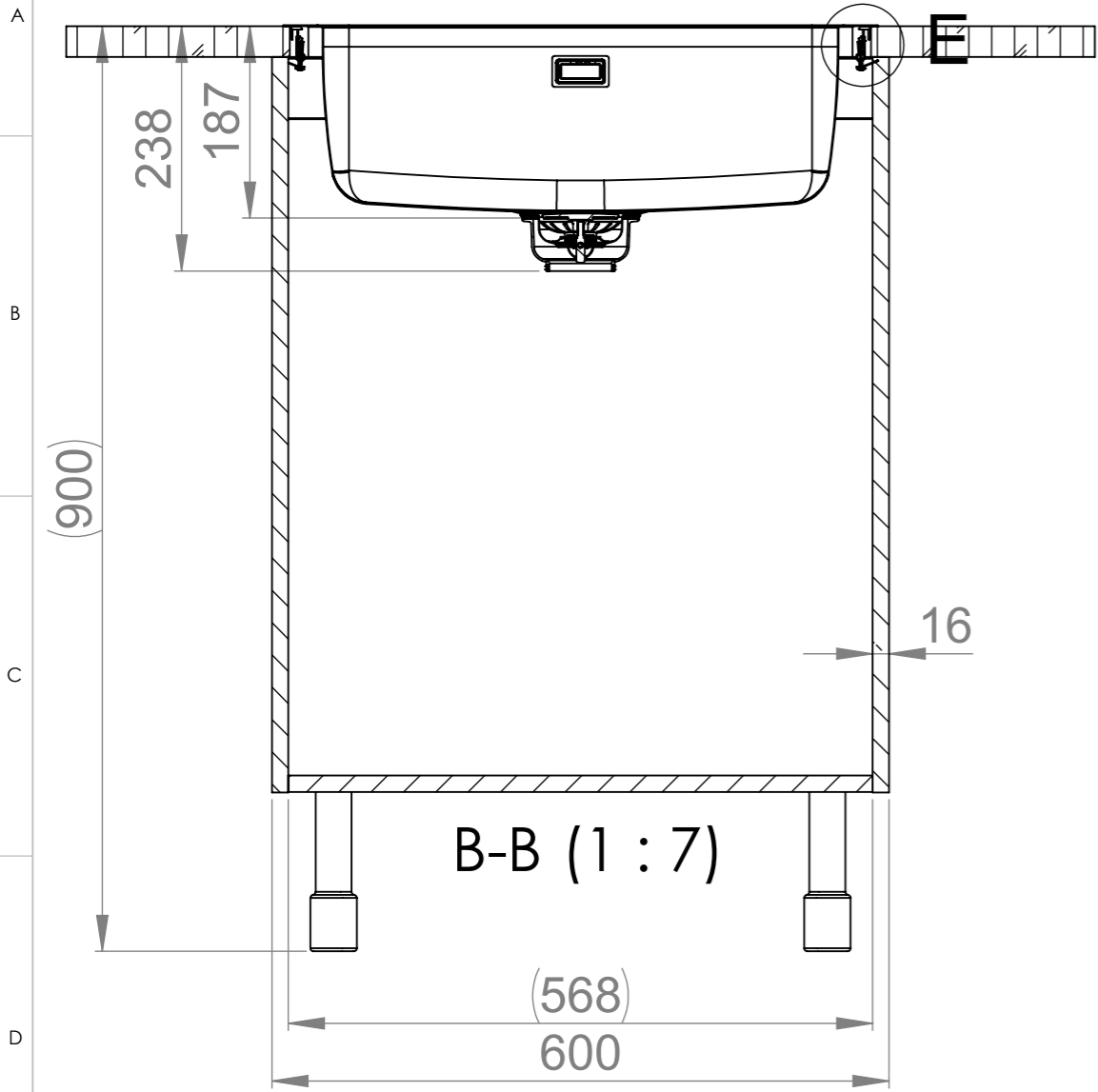


 www.stala.com	General tolerance ISO-2768-m	Designed by TN	Date 14.02.2013
	Size A3	Scale 1:5	Item CES50
Description N50-58 Technical Data Sheet	Drawing number 14090		Sheet/sheets 2/6
			Rev D

Change description
Placement of taphole changed

Date
09.04.2021
Designed by
VS

SPACE REQUIREMENTS



Huom!
Tarvittaessa kaapin väliseinää ja etu/takalistaa E (1 : 1)
lovettava kiinnikkeitä varten ja pesuallas on
kiinnitettävä ennen työtason asennusta.

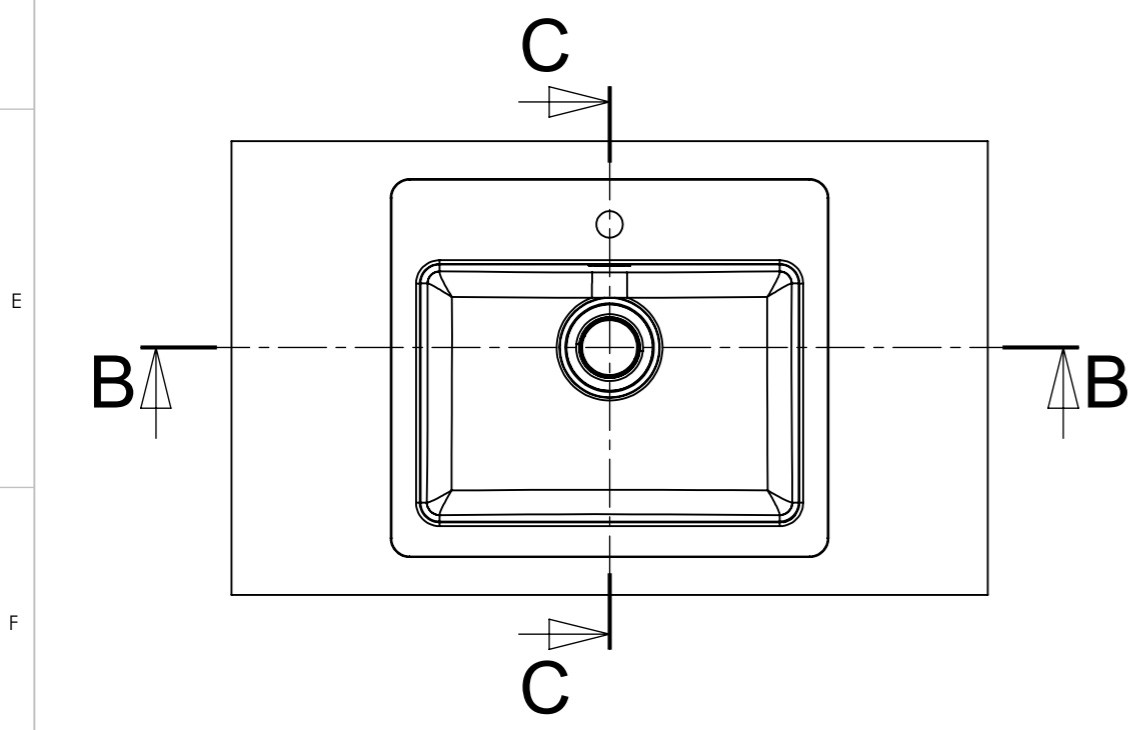
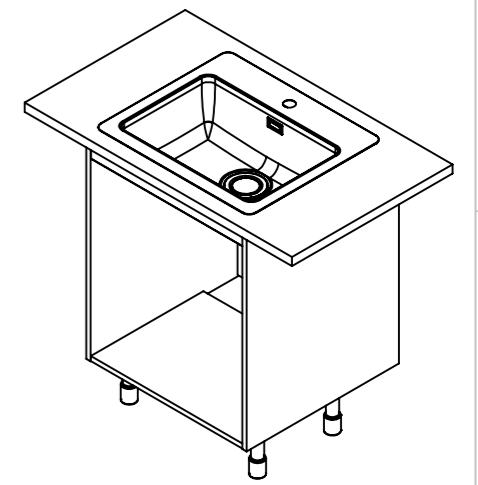
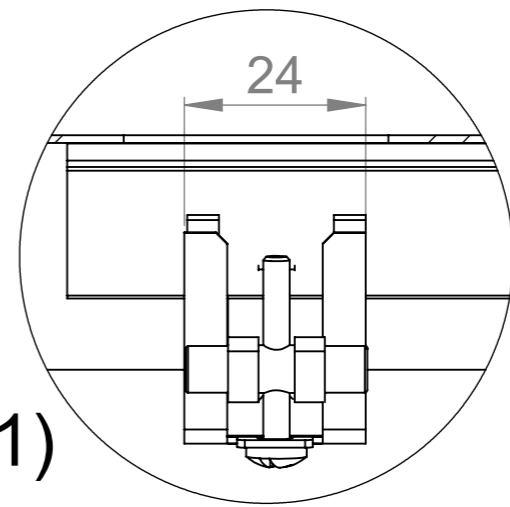
Obs!
Vid behov måste en inskärning för hofästena göras
i skåpets mellanvägg och förbindningslist och
diskbänken måste fästas innan du monterar
bänkskivan.

Notice!
The partition walls and front/back list of the
cupboard must be notched for the sink mountings
when needed and the sink must be fastened before
installing the worktop.

B-B (1 : 7)

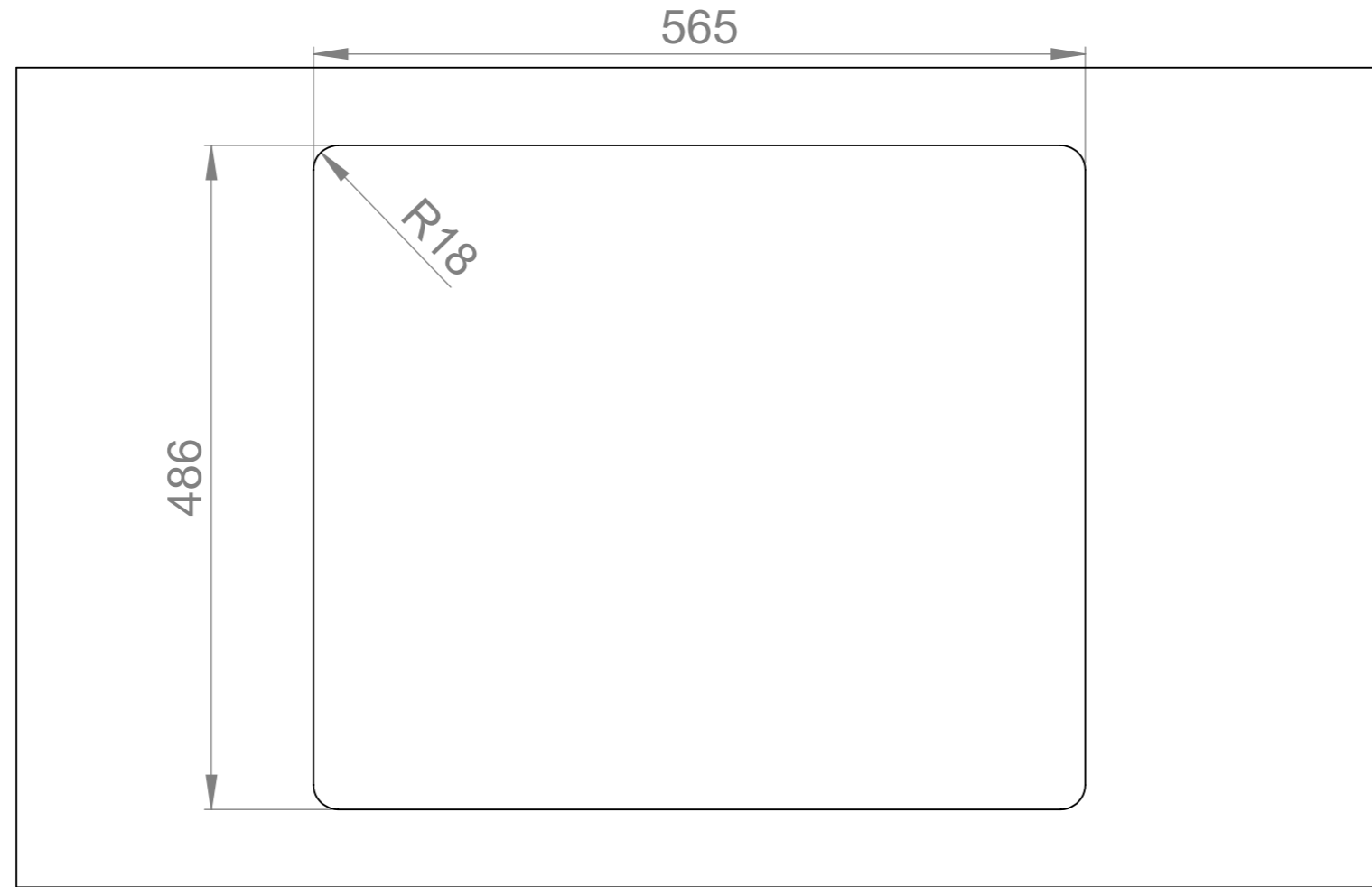
C-C (1 : 7)

G (1 : 1)



	General tolerance	ISO-2768-m	Designed by	TN	Date	14.02.2013
	Size	A3	Scale	1:5	Approved by	
 www.stala.com	Item	CES50	Drawing number	14090	Sheet/sheets	3/6
	Description	N50-58	Rev	D		
	Technical Data Sheet					

CUT-OUT



Change description
Placement of taphole changed

Date
09.04.2021

Designed by
VS



Size
A3

Scale
1:1

General tolerance
ISO-2768-m

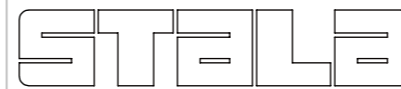
Item
CES50

Designed by
TN

Date
14.02.2013

Approved by

Date



www.stala.com

Description
N50-58
Technical Data Sheet

Drawing number
14090

Sheet/sheets
4/6

Rev
D

