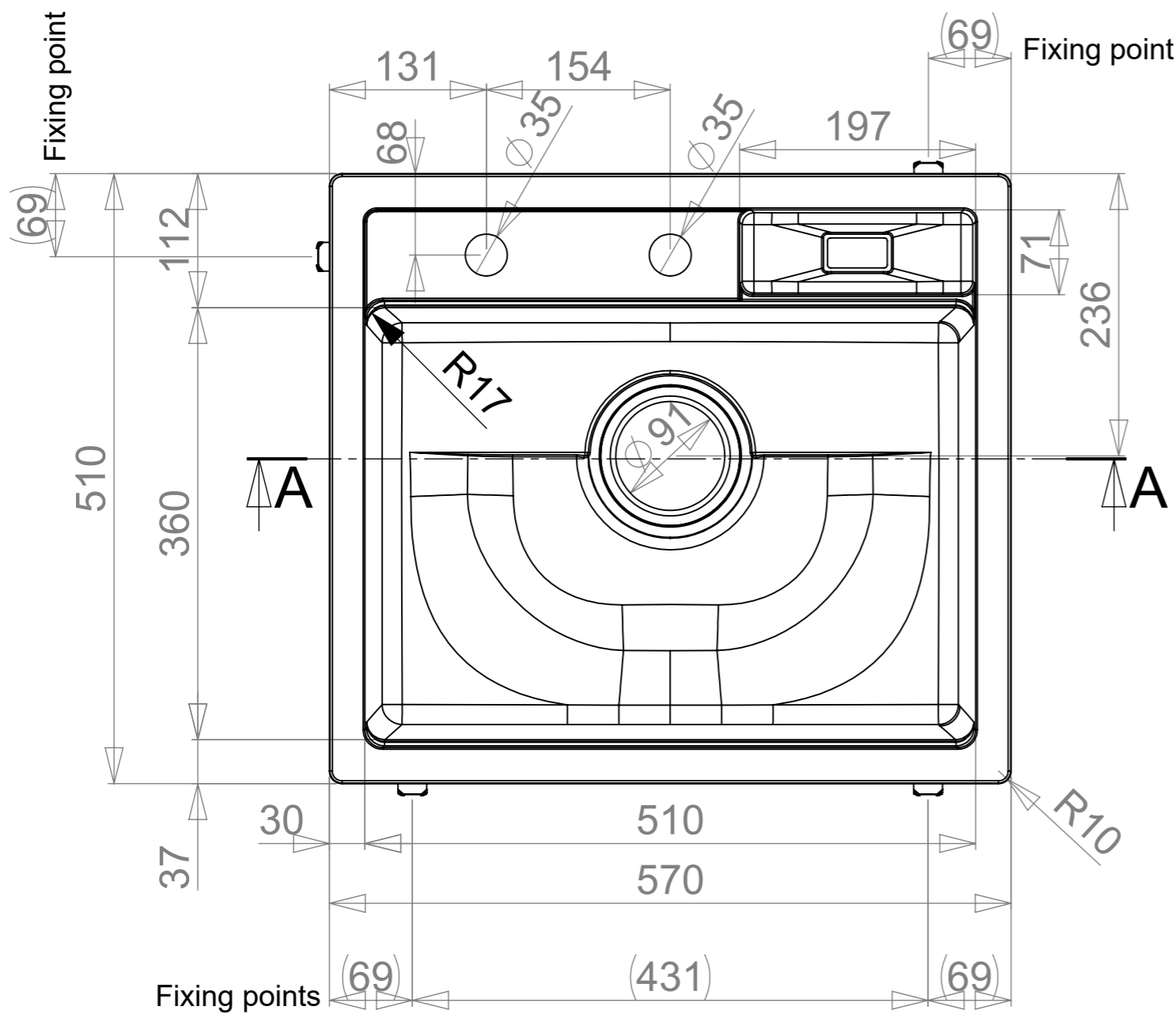
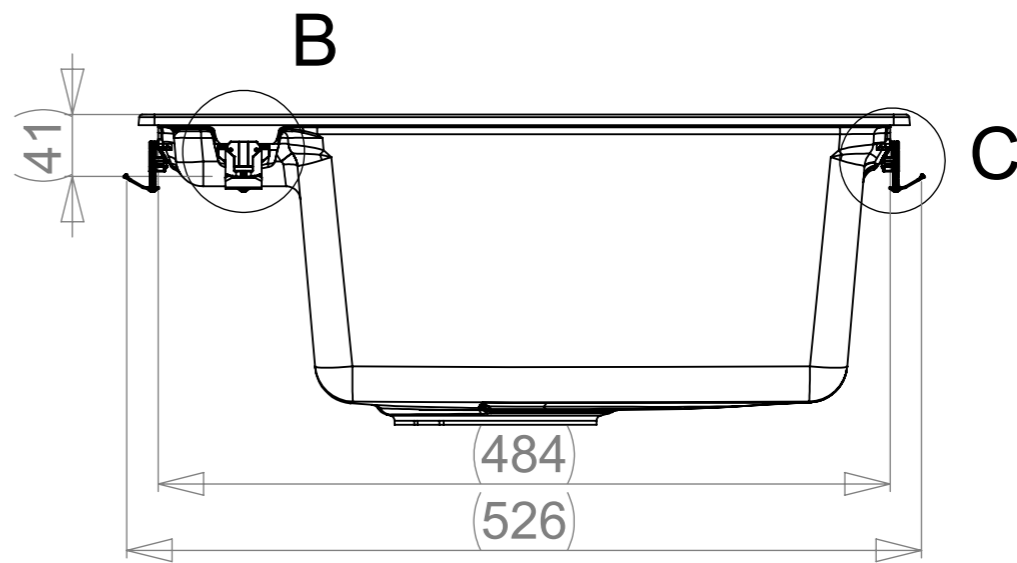
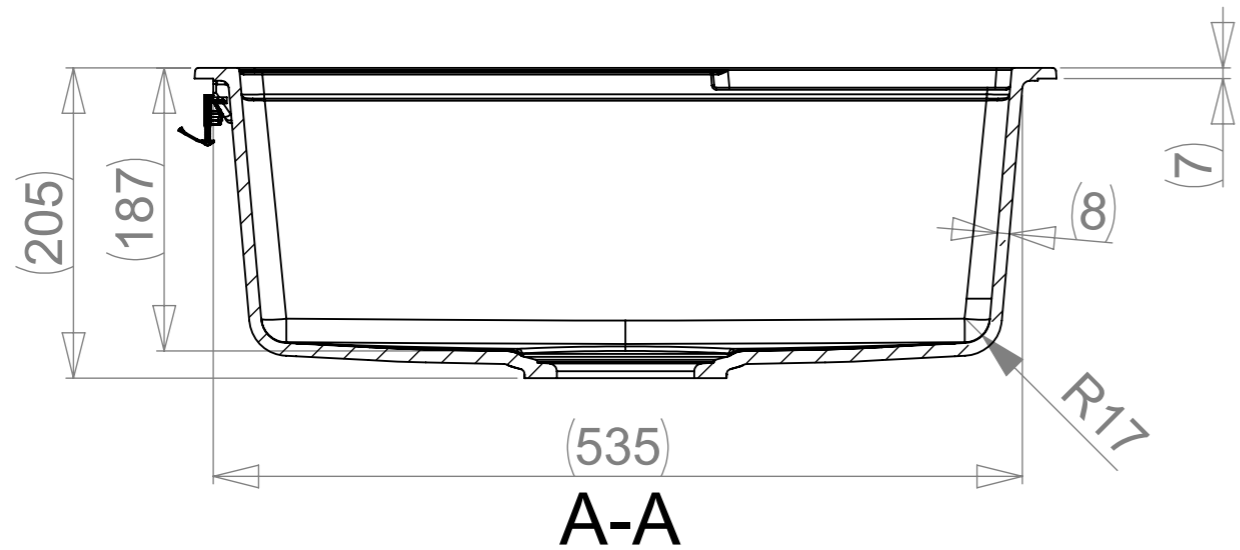


MAIN DIMENSIONS

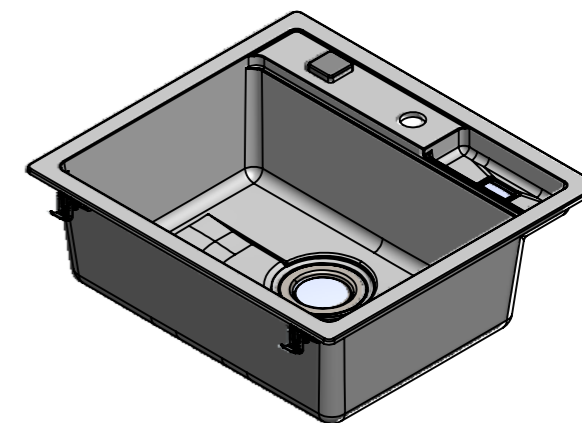
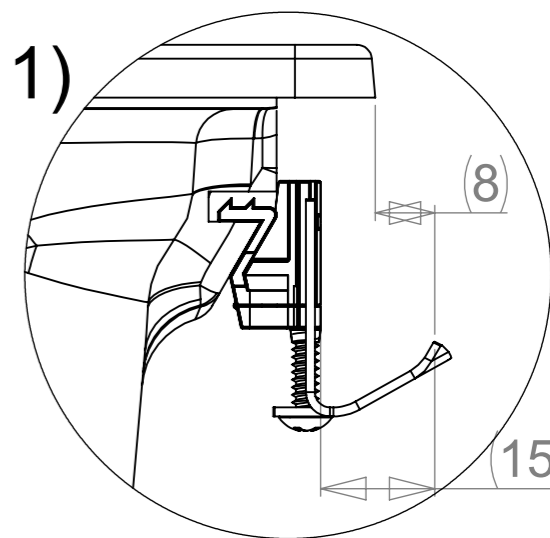
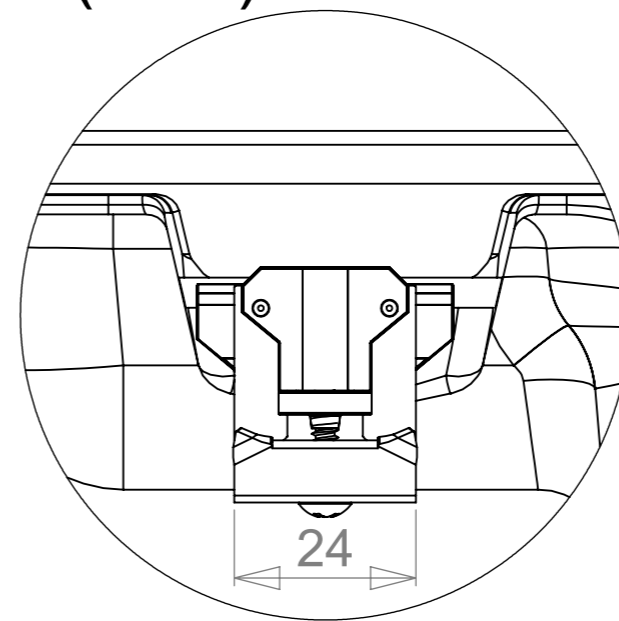
Change description  
Measurements of cut out updated

Date 17.03.2020  
Designed by VS



B (1 : 1)

C (1 : 1)



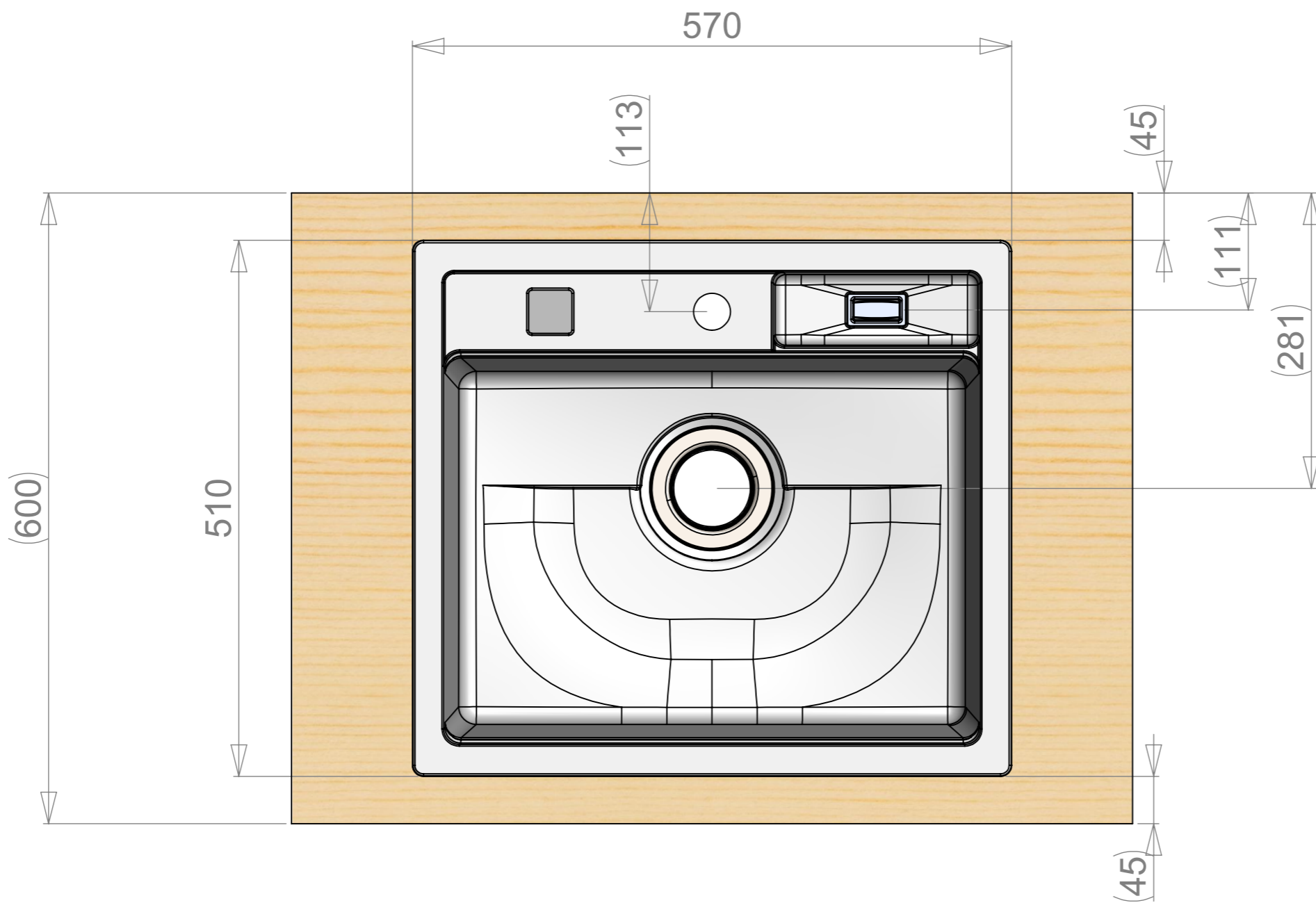
	Mass	27.72 kg	General tolerance	Designed by	JP	Date	23.02.2012
	Size	A3		Scale	1:5	Item	CEG51-57B/G, BF/GF
 www.stala.com	Description			Drawing number	14017	Sheet/sheets	1/7
	Technical Data Sheet			Rev	C		


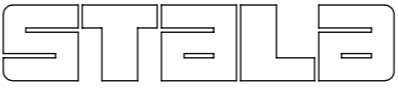
WORKTOP ASSEMBLY

Change description  
Measurements of cut out updated

Date  
17.03.2020

Designed by  
VS

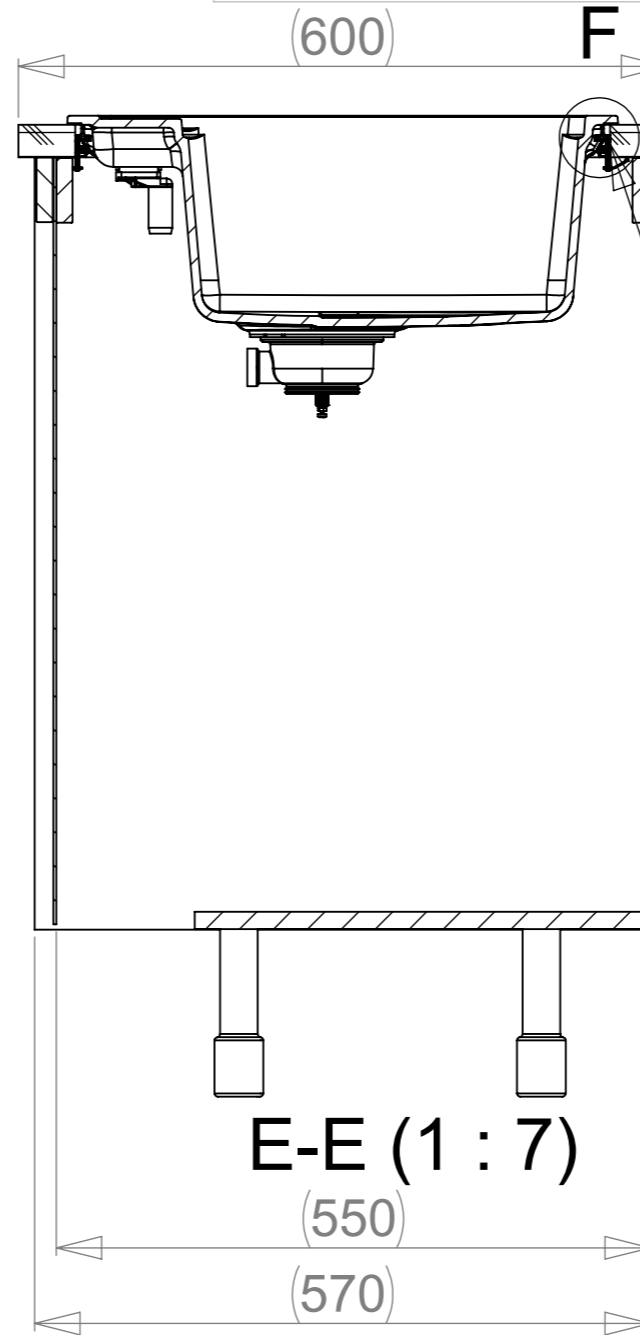
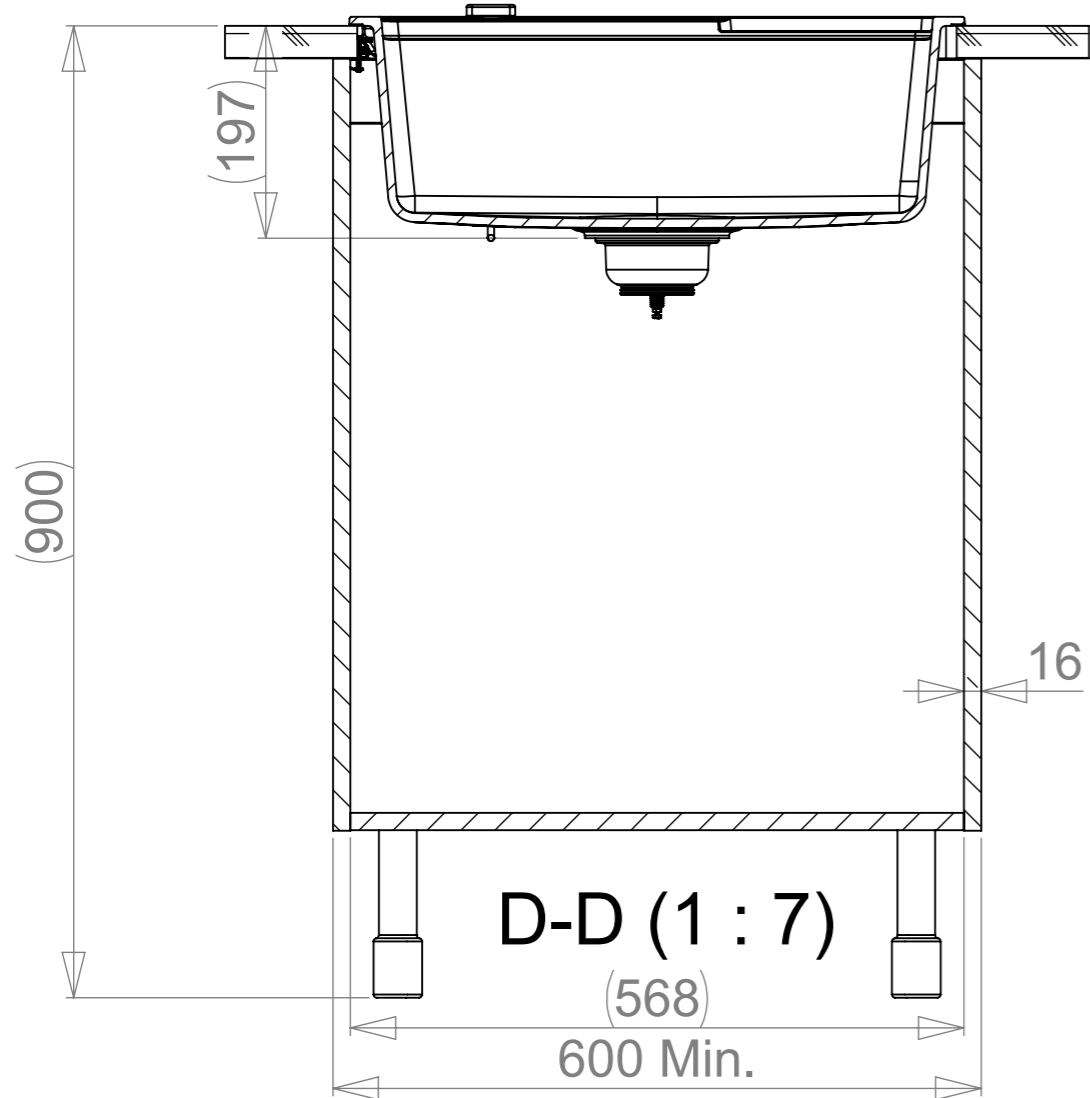


	Mass	27.72 kg	General tolerance	Designed by	JP	Date	23.02.2012
	Size	A3	Scale	1:5	Item	Approved by	Date
 www.stala.com	Description			Drawing number	Sheet/sheets		2/7
	CEG51-57B/G, BF/GF			Technical Data Sheet		14017	Rev

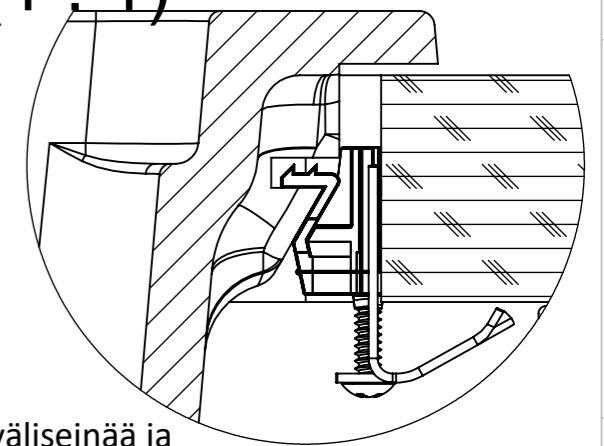
SPACE REQUIREMENTS

Change description  
Measurements of cut out updated

Date  
17.03.2020  
Designed by  
VS



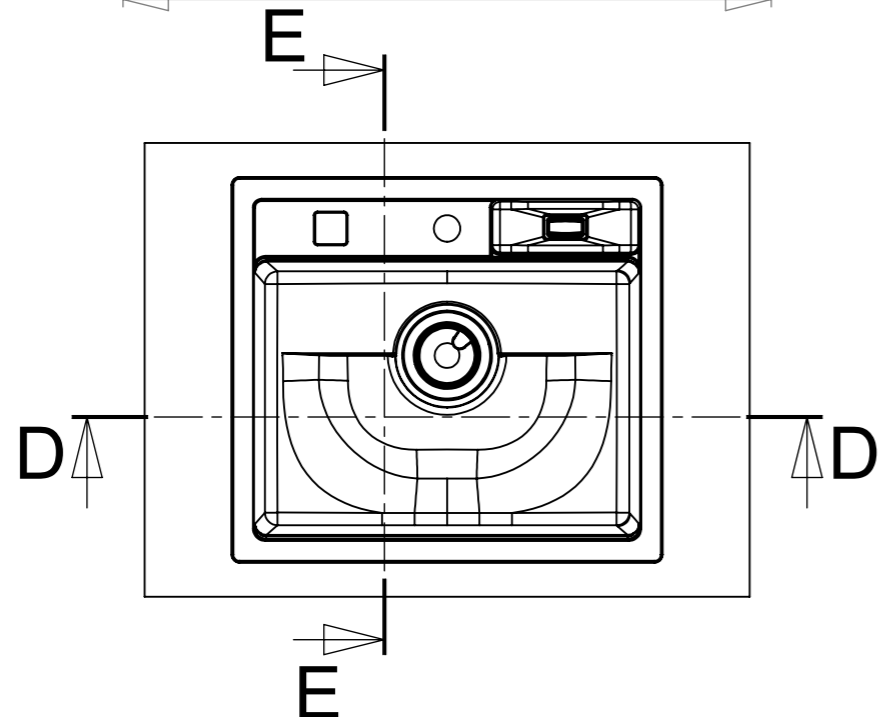
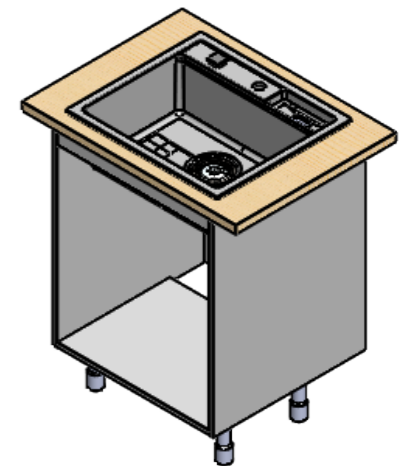
F (1 : 1)



Huom!  
Tarvittaessa kaapin väliseinää ja etu/takalista lovetettava kiinnikkeitä varten ja pesuallas on kiinnitettävä ennen työtason asennusta.

Obs!  
Vid behov måste en inskärning för hofästena göras i skåpets mellanvägg och förbindningslist och diskbänken måste fästas innan du monterar bänkskivan.

Notice!  
The partition walls and front/back list of the cupboard must be notched for the sink mountings when needed and the sink must be fastened before installing the worktop.



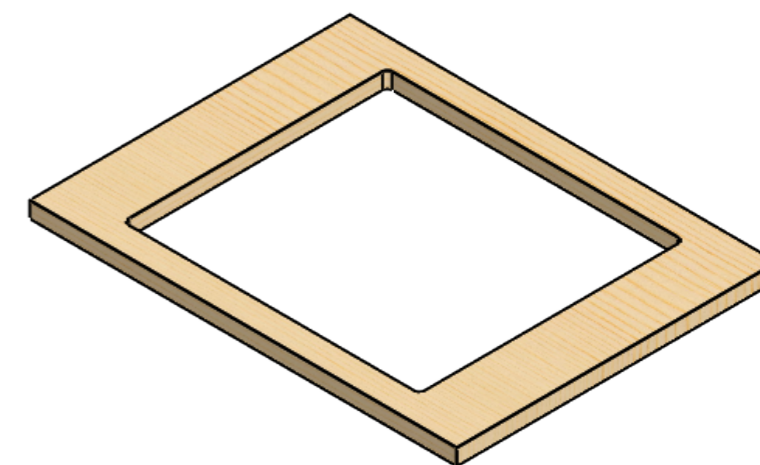
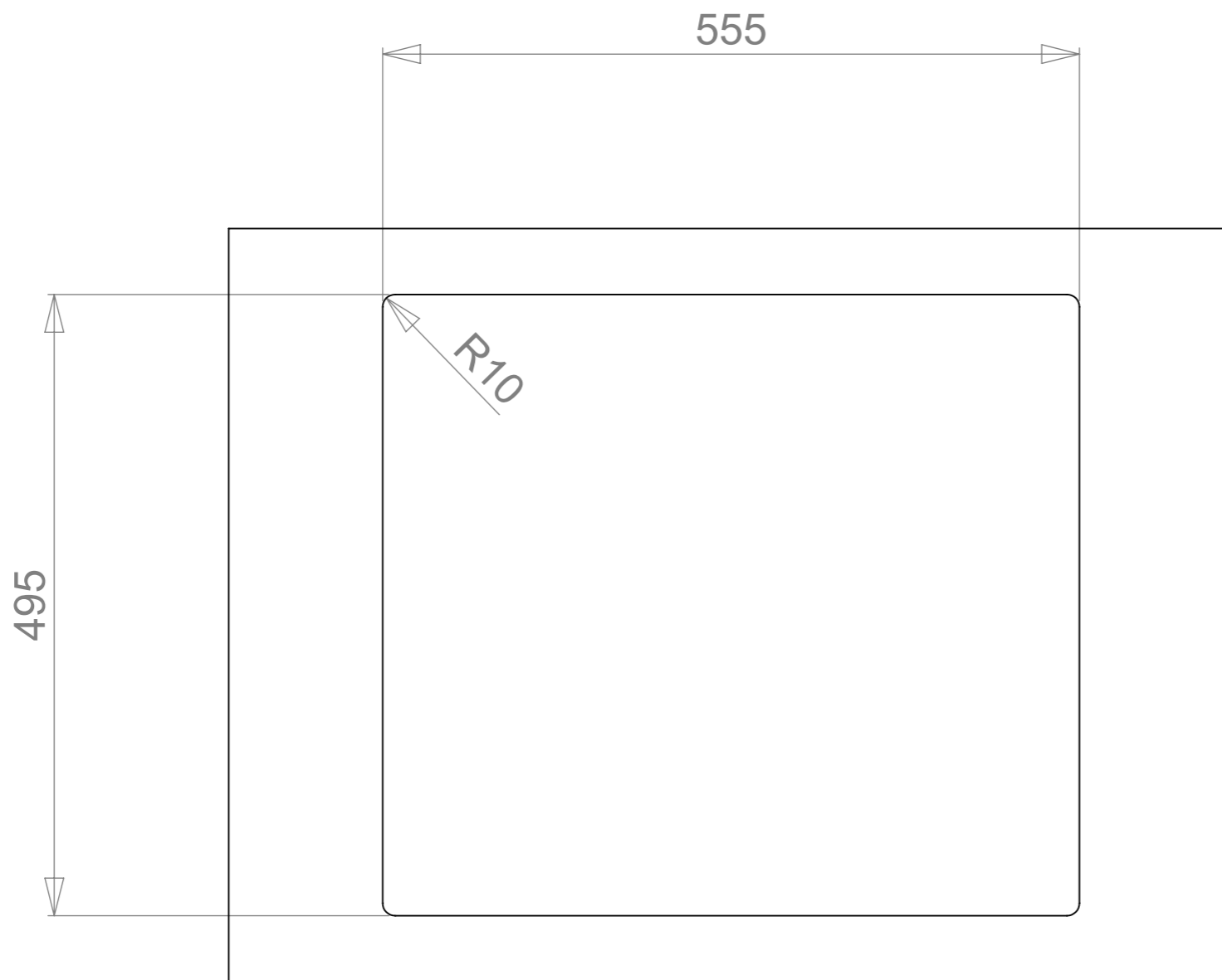
	Mass <b>27.72 kg</b>	General tolerance	Designed by <b>JP</b>	Date <b>23.02.2012</b>
	Size <b>A3</b>		Scale <b>1:10</b>	Approved by
 www.stala.com	Description <b>CEG51-57B/G, BF/GF</b>		Drawing number <b>14017</b>	Sheet/sheets <b>3/7</b>
	Technical Data Sheet			Rev <b>C</b>


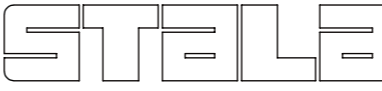
CUT-OUT FOR BUILT ON

Change description  
Measurements of cut out updated

Date  
17.03.2020

Designed by  
VS



	Mass	27.72 kg	General tolerance	Designed by	JP	Date	23.02.2012
	Size	A3	Scale	1:5	Item	Approved by	Date
 www.stala.com	Description		CEG51-57B/G, BF/GF	Drawing number		Sheet/sheets	
	Technical Data Sheet		14017	Rev		C	

