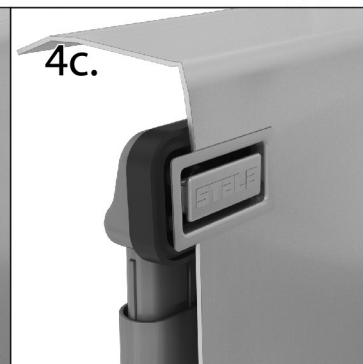
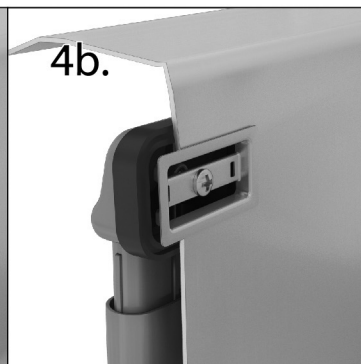
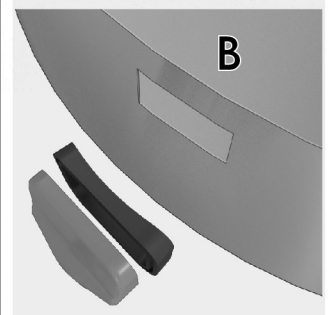
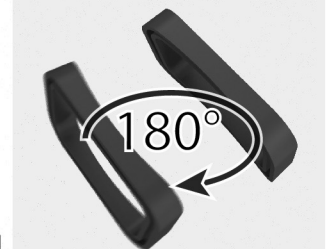
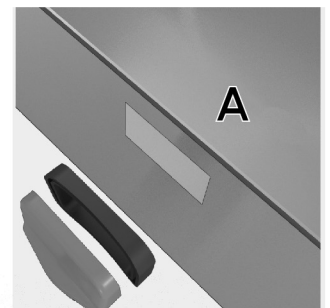
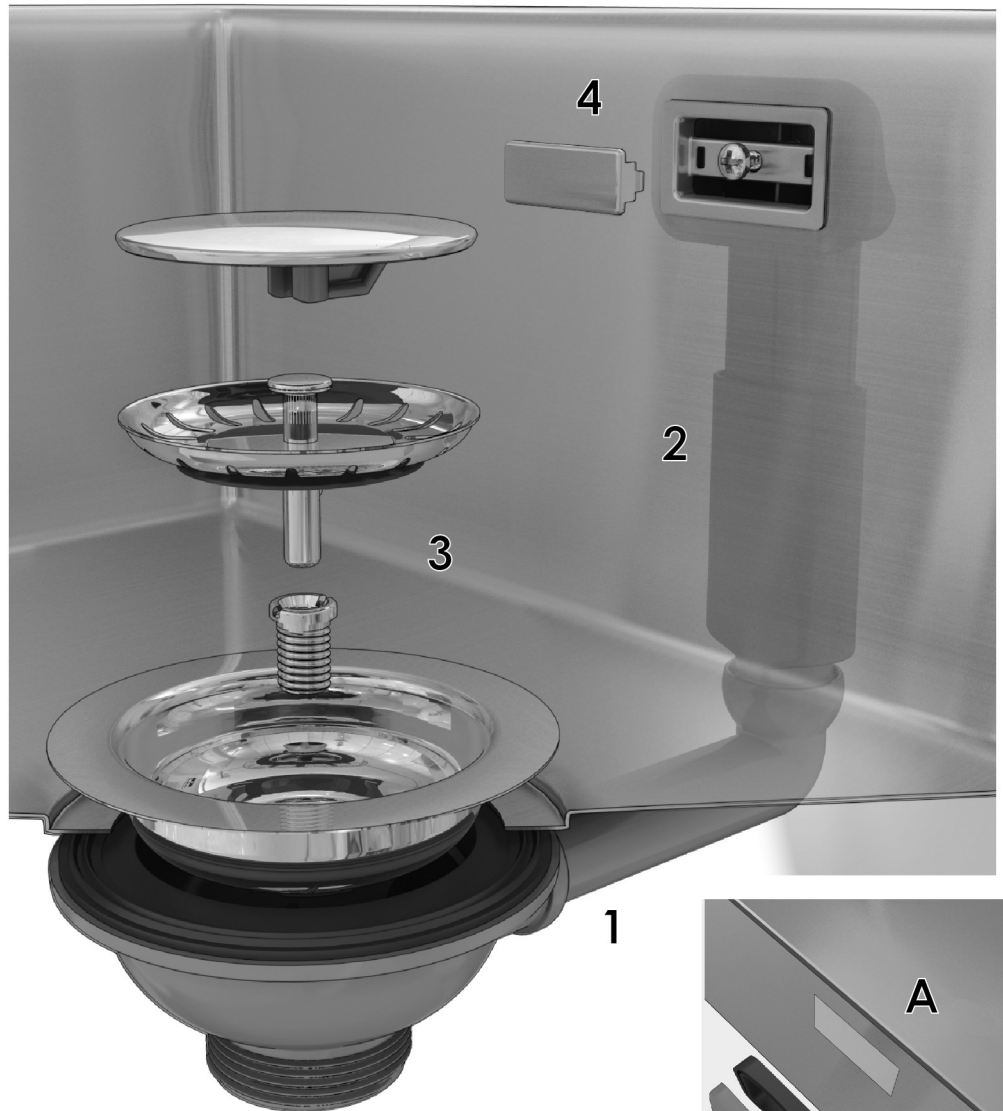
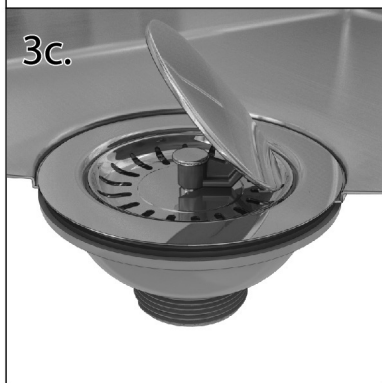
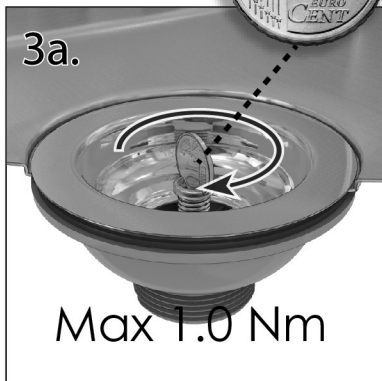
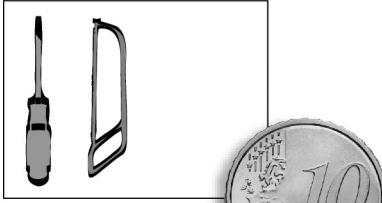


139956 ST-11LR

Certified in accordance to EN 274-1:2002

STALA

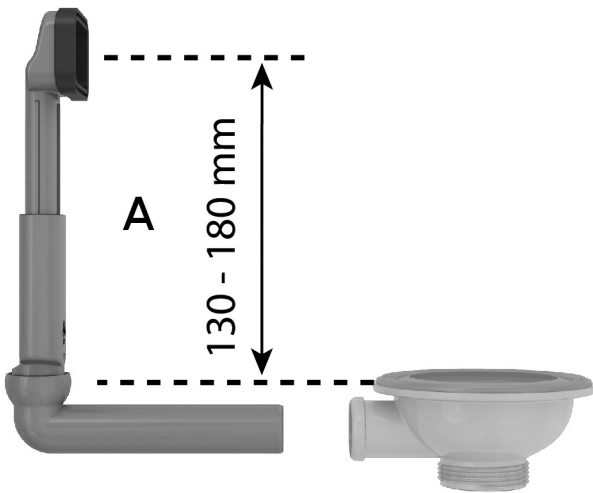


139956 ST-11LR

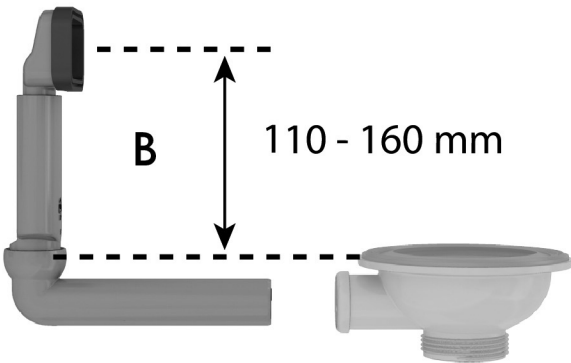
STALA

Certified in accordance to EN 274-1:2002

2

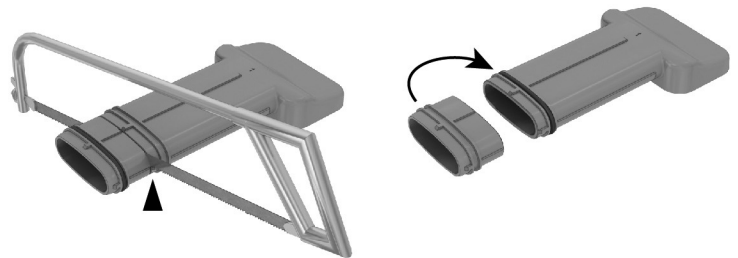


2



B₁

B₂



1

