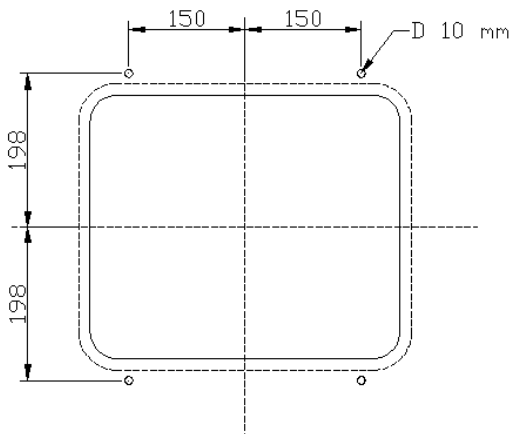
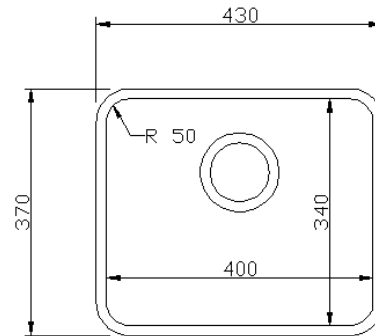


UNDERMOUNT BOWL CODE: P-40U

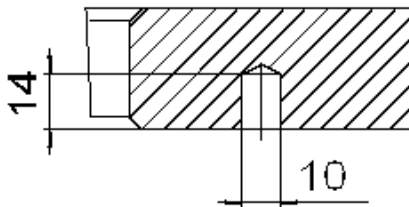
BOWL SIZE 400 X 340 X 180



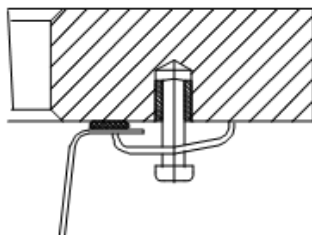
1. CUT-OUT STONE SLAB

Before cutting out, check the cut-out dimensions.

2. DRILL THE HOLES FOR THE THREADED FIXING INSERTS



3. GLUE IN THE THREADED FIXING INSERTS



4. PUT SEALING MATERIAL AROUND THE BOWL

Press bowl onto the stone slab and fix it with the fixing clamps. Remove surplus sealing material